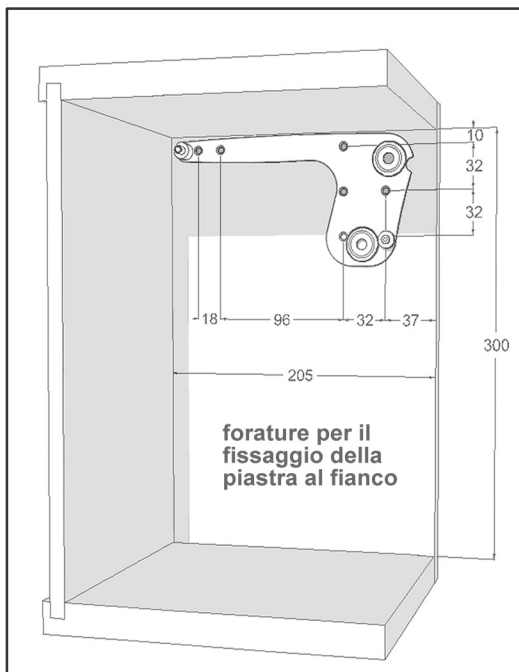
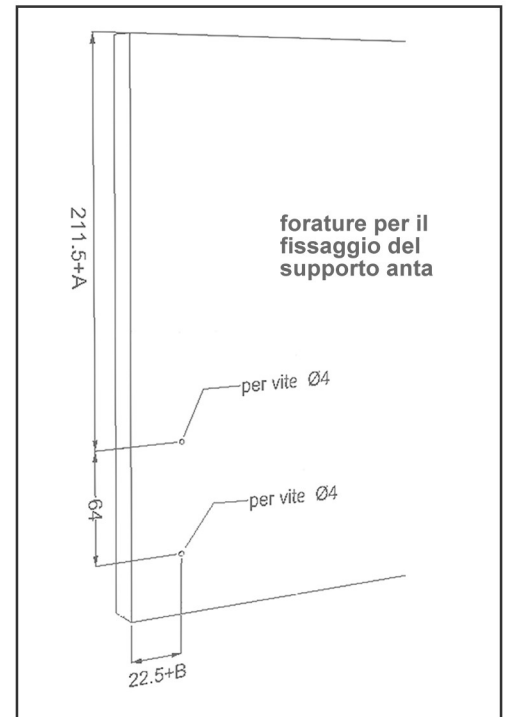
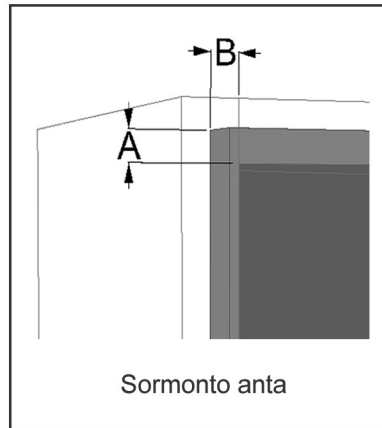
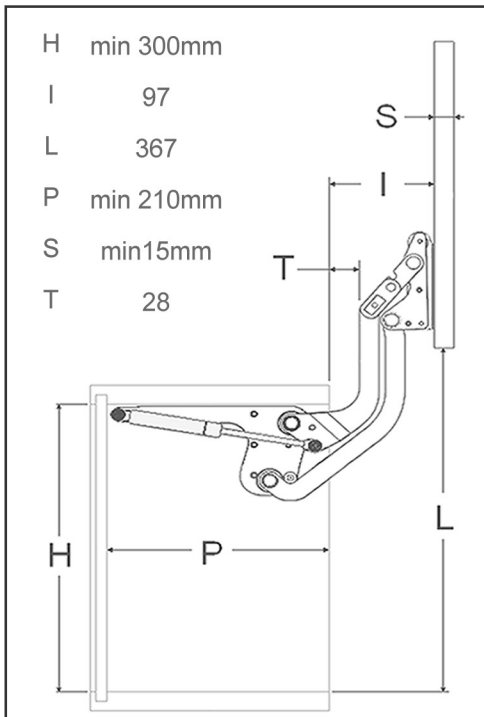


# M300R

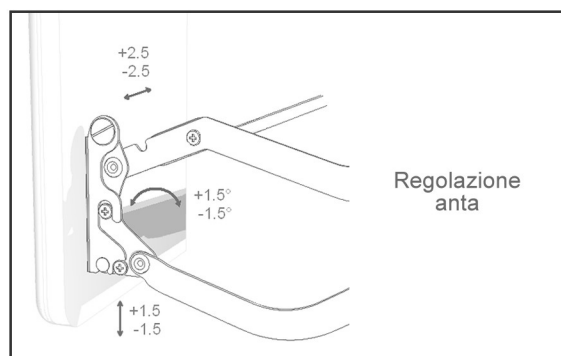
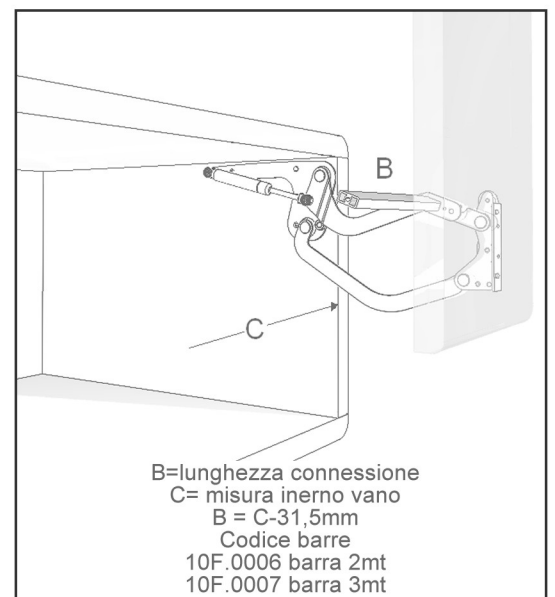
Apertura Verticale  
Vertical opening

01



Pistone	Peso anta
2x100	fino a 2 Kg
2x150	2>4 Kg
2x200	4>5 Kg
2x250	5>6 Kg
2x300	6>7 Kg
2x350	7>8 Kg
2x400	8>9 Kg

Codice meccanismo 5F.0130.R8/XXX  
XXX= forza pistone



tizzoni

# area M300

Cerniera ad apertura verticale  
Vertical opening cabinet door fitting



tizzoni

necessary fittings:



recommended resources:



ISTRUZIONI DI MONTAGGIO  
INSTRUCTION OF ASSEMBLY

# 01

## Mounting elements

8 x A.F.T.P. Ø4x12.6



2 X plastic rings



4 x steel split pins



14 x A.F.T.S. Ø4x15



2 x gas piston, 60 stroke

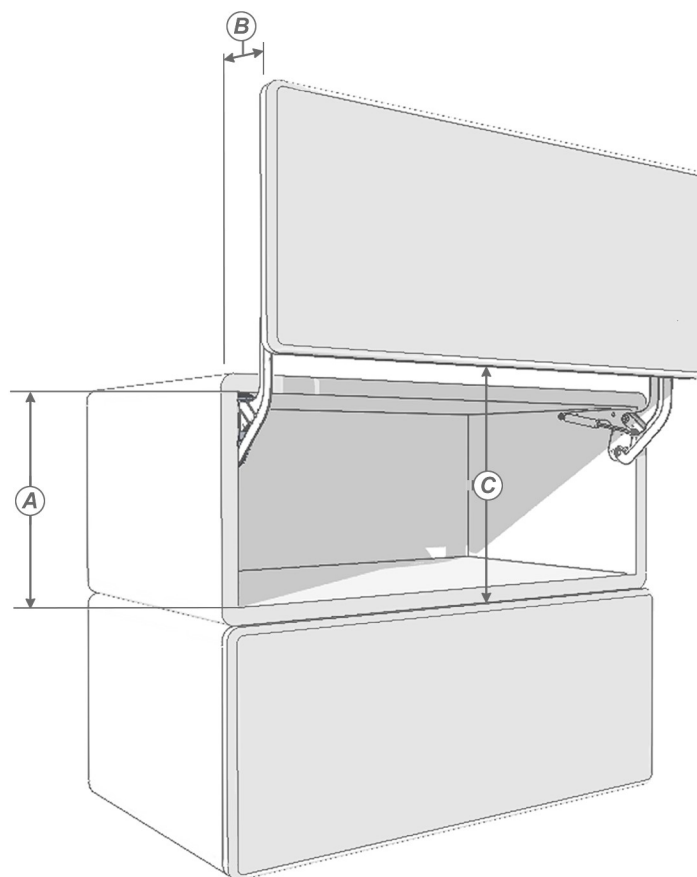
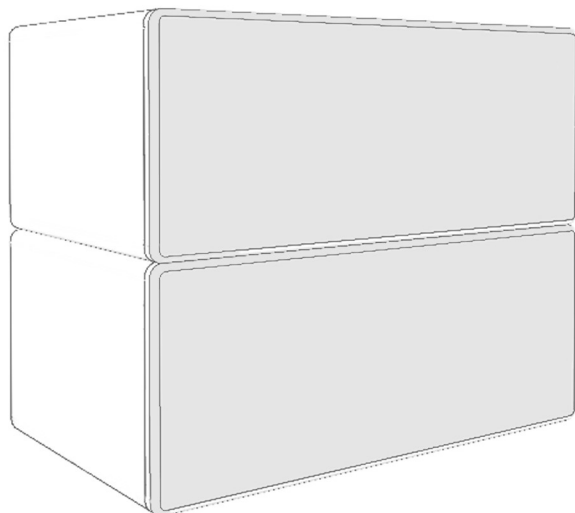
2 x A.F.T.P. Ø4x19



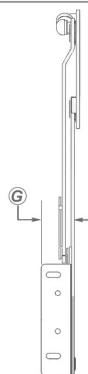
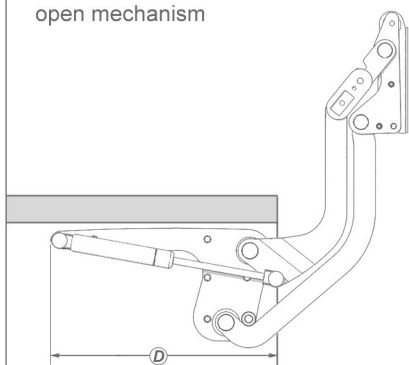
2 x TCR.CAC Ø15 M5



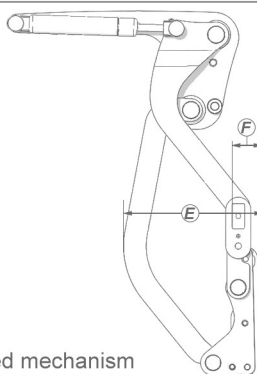
## MISURE DI INGOMBRO OVERALL DIMENSIONS



## open mechanism



closed mechanism



	min.	max.
A	300	-
B	97	187
C	-	367
D	201	-
E	109.5	-
F	24	-
G	26	-

# area M300

Cerniera ad apertura verticale  
Vertical opening cabinet door fitting

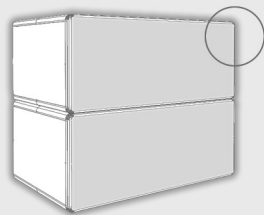


tizzoni

necessary fittings



cabinet position



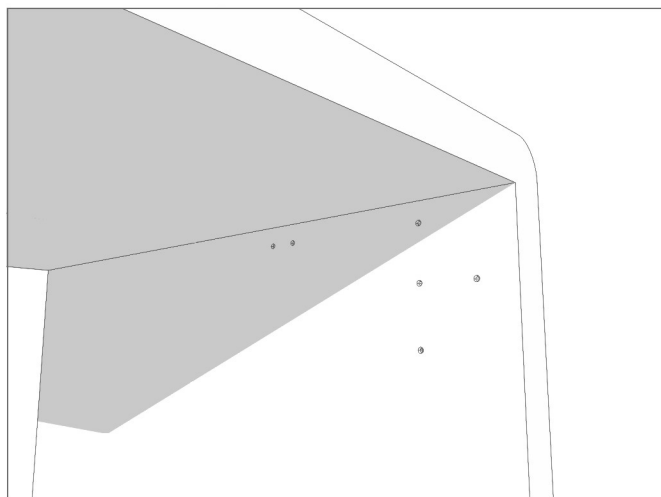
recommended resources



ISTRUZIONI DI MONTAGGIO  
INSTRUCTION OF ASSEMBLY

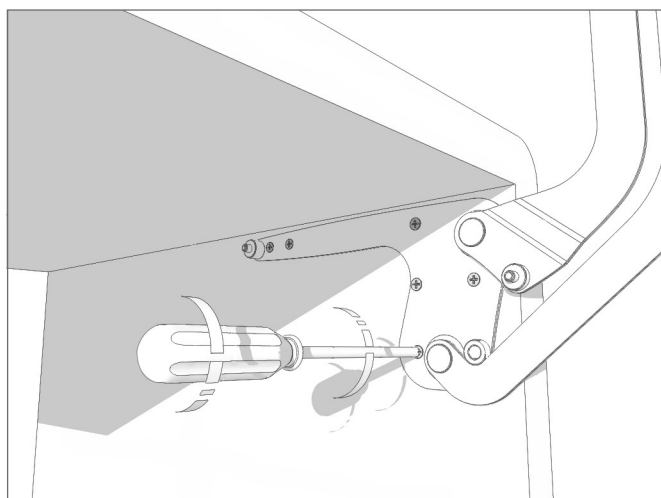
# 02

# 1



Drill cabinet side as per technical card

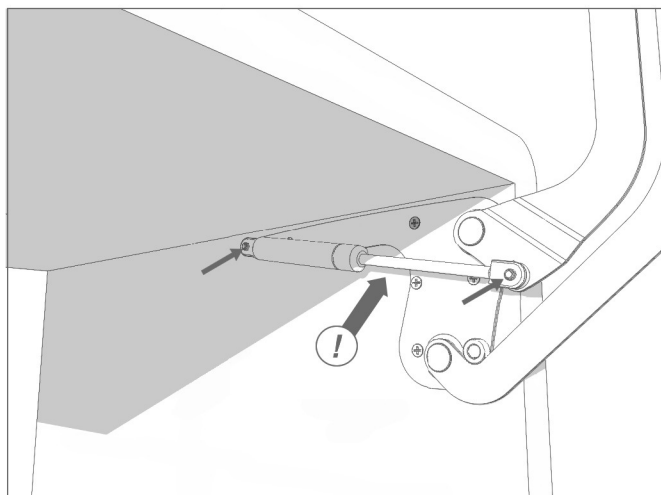
# 2



Place mechanism on cabinet and tighten screws to lock it firmly.

 14 x A.F.T.S. Ø4x15

# 3



Place piston with "open" mechanism as per picture  
(**ATTENTION:** piston mobile rod has to be turned downwards)

# area M300

Cerniera ad apertura verticale  
Vertical opening cabinet door fitting

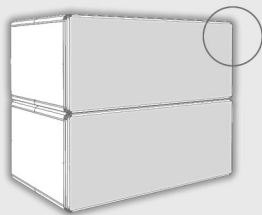


tizzoni

necessary fittings:



cabinet position



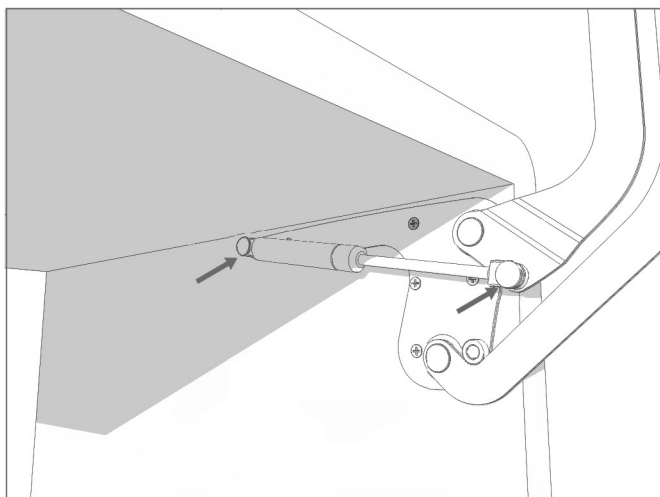
recommended resources:



ISTRUZIONI DI MONTAGGIO  
INSTRUCTION OF ASSEMBLY

# 03

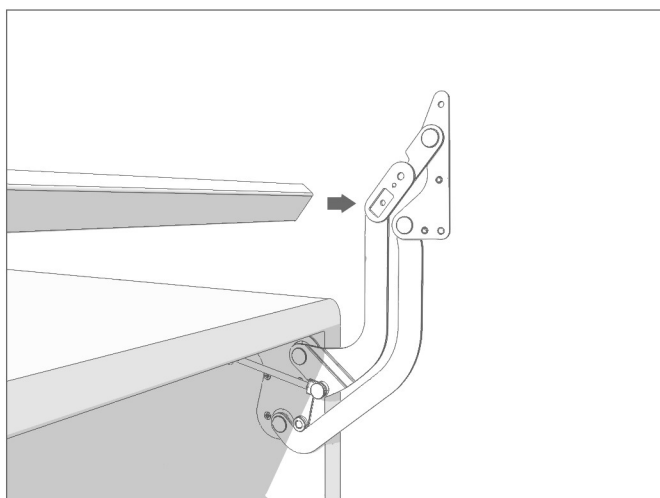
## 4



Fit splits on pins where piston has been fitted.  
Then repeat this operation for the other cabinet side with  
the other mechanism element.

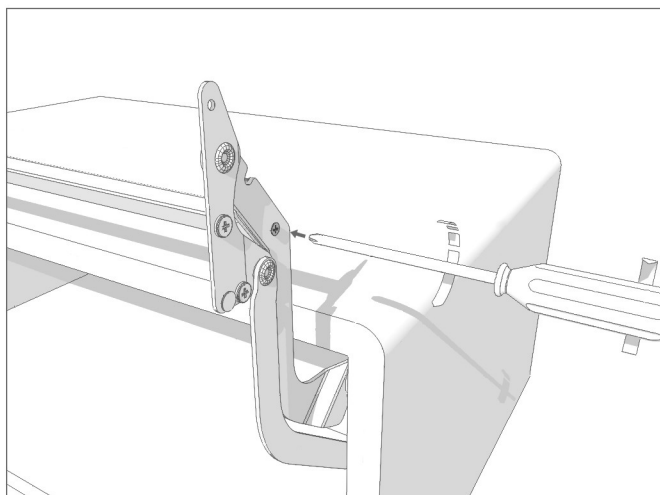
 4 x steel split pins

## 5



Fit connection to mechanism on both sides as per picture.  
Connection rod length is given by cabinet inside dimension less  
**31.5 mm with +/- 0.5 tolerance.**

## 6



Screw connection on the opposite side to the one it was fitted.

 2 x A.F.T.P. Ø4x19

# area M300

Cerniera ad apertura verticale  
Vertical opening cabinet door fitting



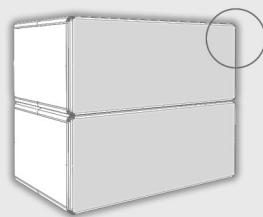
tizzoni

04

necessary fittings :



cabinet position

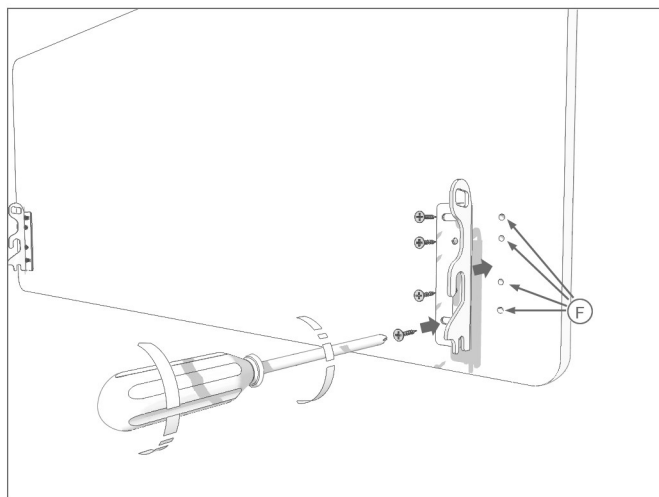


recommended resources :



ISTRUZIONI DI MONTAGGIO  
INSTRUCTION OF ASSEMBLY

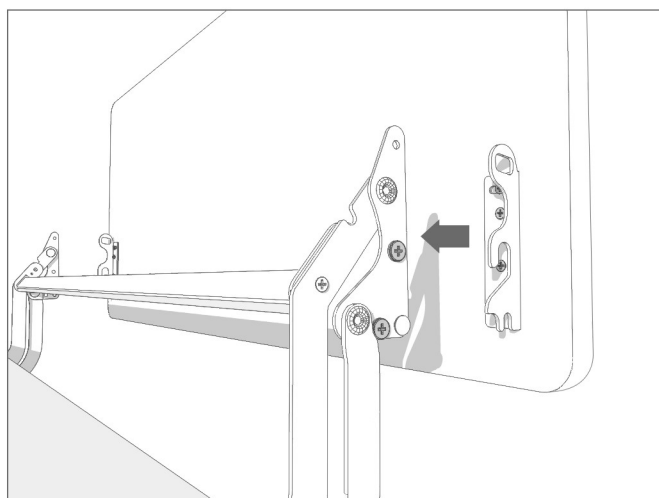
7



Drill cabinet door as per technical card (F) fit plates and tighten them firmly.

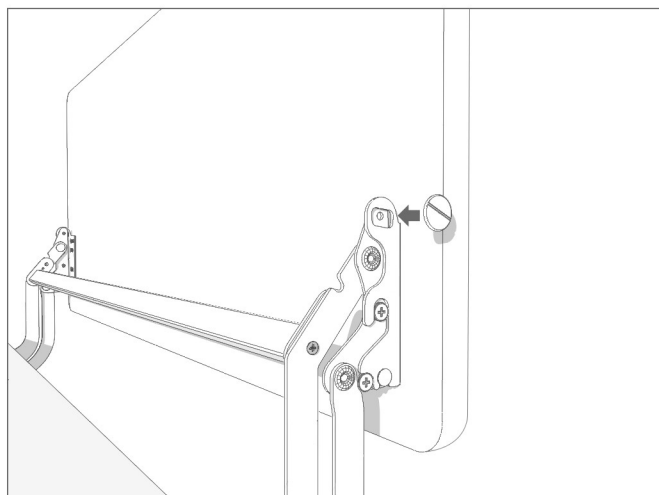


8



Place door with plate mounted on mechanism as per picture.

9



Insert clamping screw without tightening it to allow adjustment.



# area M300

Cerniera ad apertura verticale  
Vertical opening cabinet door fitting

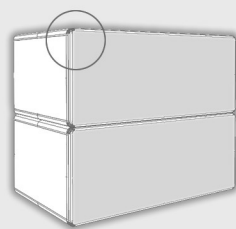


tizzoni

necessary fittings :



cabinet position



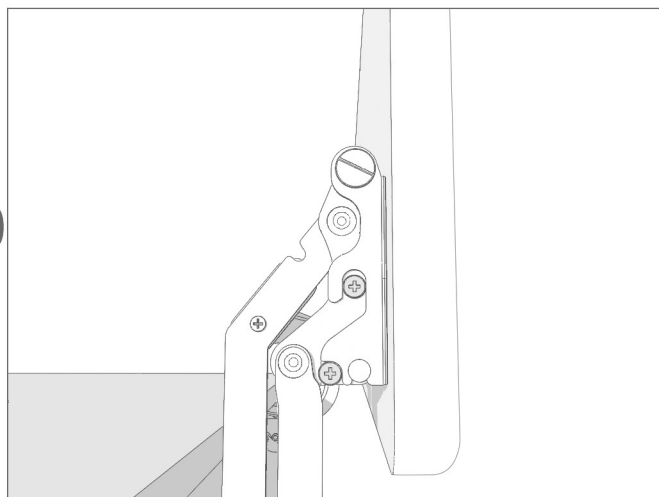
recommended resources :



ISTRUZIONI DI MONTAGGIO  
INSTRUCTION OF ASSEMBLY

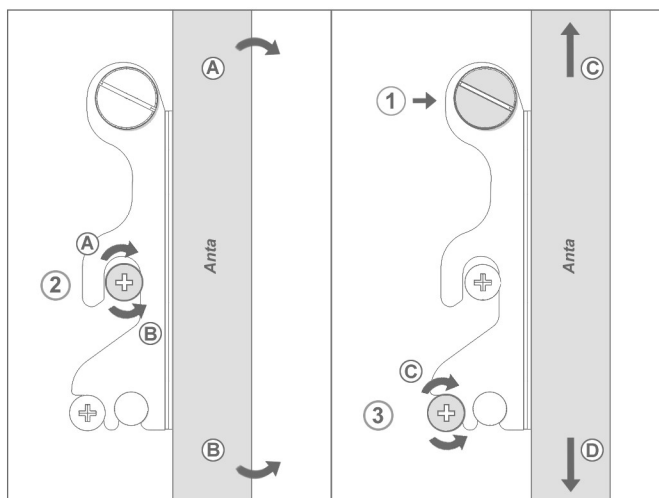
# 05

## 10



Adjust door with screws as per **picture 11**

## 11

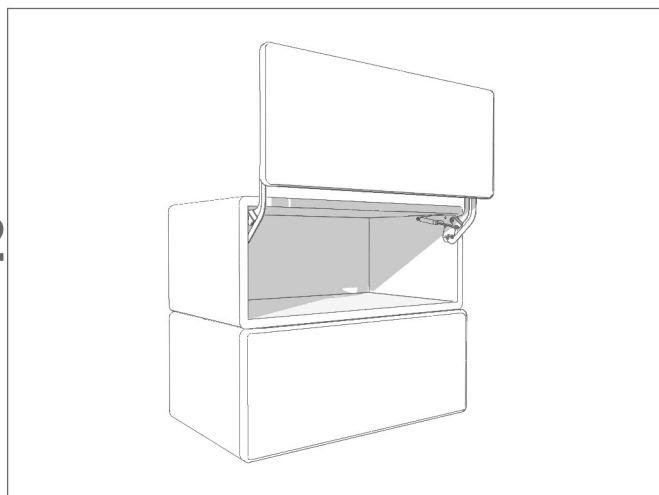


Eccentric screw **2** adjusts side inclination ( **A** and **B** )

Eccentric screw **3** adjusts side elements ( **C** and **D** )

Screw **1** tightens door definitely

## 12



Area M 300 mounted.

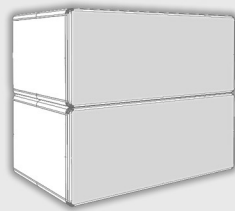
For any explanation please apply to Technical Department  
[tec@tizzoniweb.com](mailto:tec@tizzoniweb.com) or call Tel.No **+39 0341 200313**

**Tizzoni Adelchi s.r.l.**  
via Rio Torto, 11  
23868 Valmadrera (LC)  
Italy

necessary fittings :



cabinet position



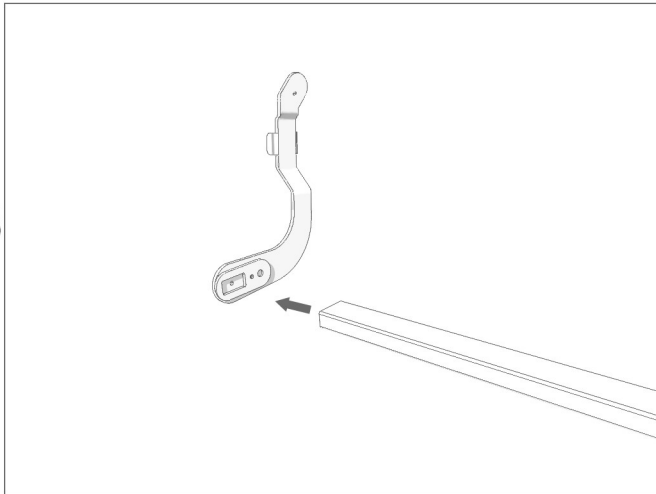
recommended resources :



ISTRUZIONI DI MONTAGGIO  
INSTRUCTION OF ASSEMBLY

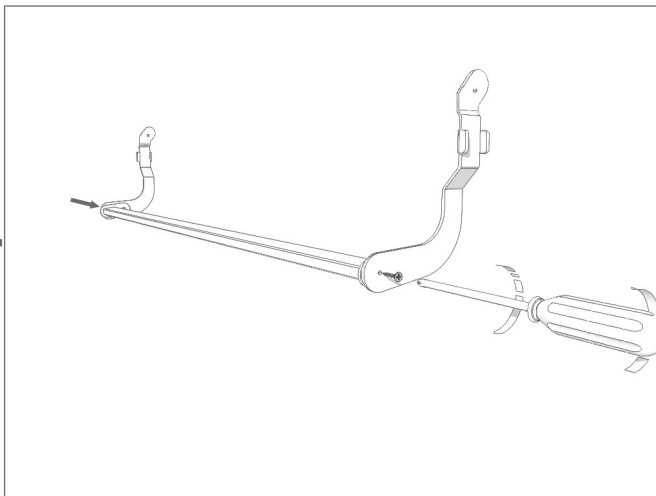
## Execution with swing system

### 13



To fit swing system on mechanism mount mechanism as per **picture 4** then fit connection rod to the two swing fittings as per picture.

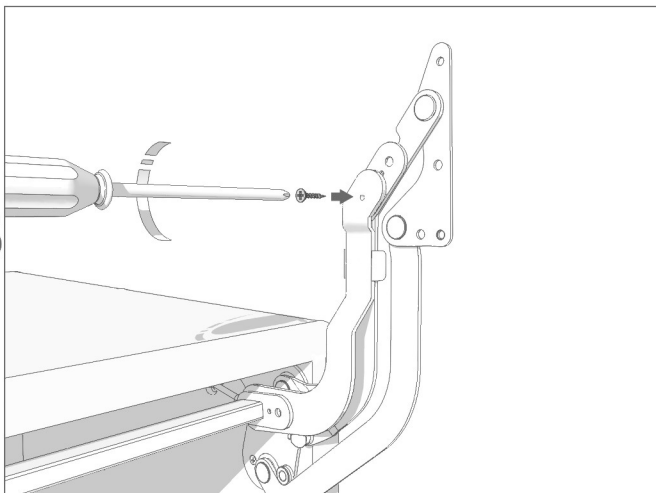
### 14



Insert screw to tighten cabinet as per picture.



### 15



Mount swing system on mechanism and tighten it with screw as per picture.

