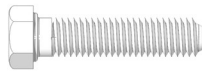


ISTRUZIONI DI MONTAGGIO  
INSTRUCTION OF ASSEMBLY

# 01

mounting elements

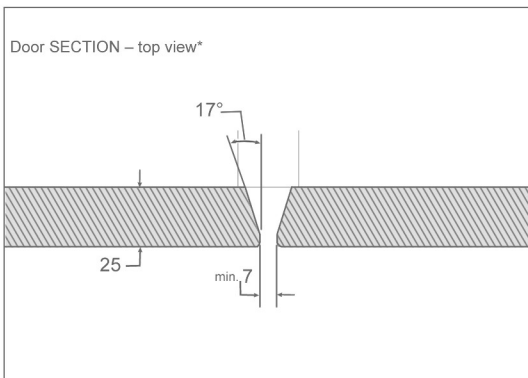
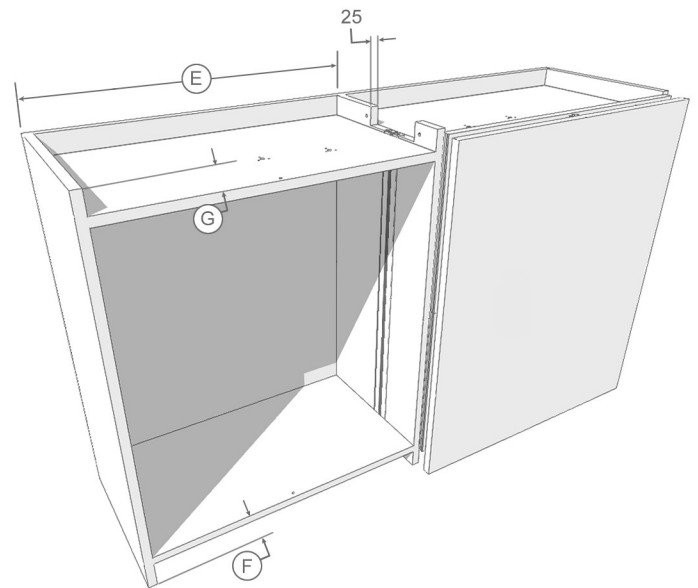
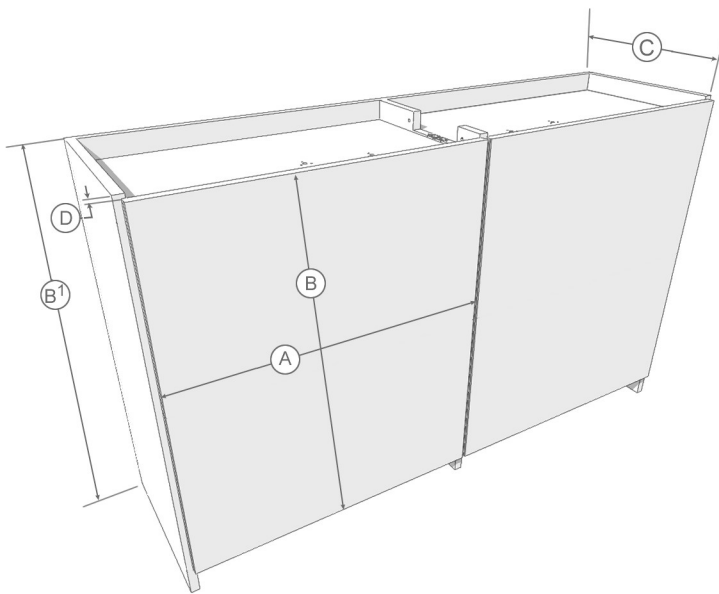
4 x bolts Ø 8 mm



4x nuts Ø 8 mm



MISURE DI INGOMBRO  
OVERALL DIMENSIONS



	min.*	max.*
A	600	1000
B	-	2990
B <sup>1</sup>	-	3000
C	400	-
D	10	-
E	it depends on the door	-
F	80	-
G	60	-
Weight each door	-	35Kg

DIMENSIONS

\*Dimensions in mm

useful accessories :

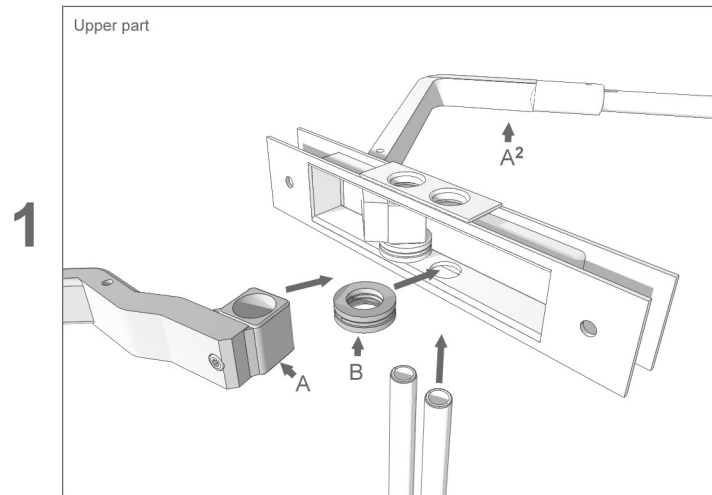


recommended units :



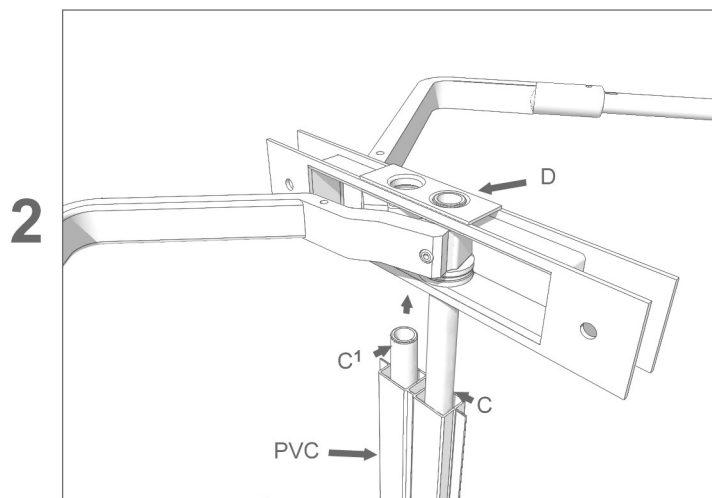
ISTRUZIONI DI MONTAGGIO  
INSTRUCTION OF ASSEMBLY

# 02

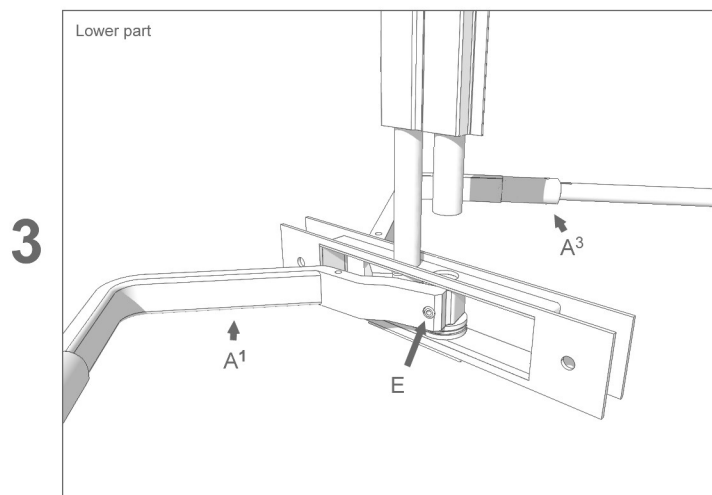


Short lever with pin (left upper one) : **A**  
Short lever without pin (left lower one) : **A<sup>1</sup>**  
Long lever with pin (right upper one) : **A<sup>2</sup>**  
Long lever without pin (right lower one) : **A<sup>3</sup>**

Insert bearing **B** and align it with box hole.  
Insert lever **A** on the bearing, keep hole alignment.



Insert tube **C** taking care that profiles are not forced or damaged.  
Insert tube up to box upper edge (**D**).  
Repeat the same operation with tube **C<sup>1</sup>** and the opposite lever.  
Insert tubes **C** and **C<sup>1</sup>** in the **PVC** case.



Insert tubes **C** and **C<sup>1</sup>** also in the lower part, keep bearings under the lever.  
When both the lower tubes are fitted, tighten pins (**E**) on right and left lower levers.  
Do not tighten nuts in the upper part.

useful accessories :

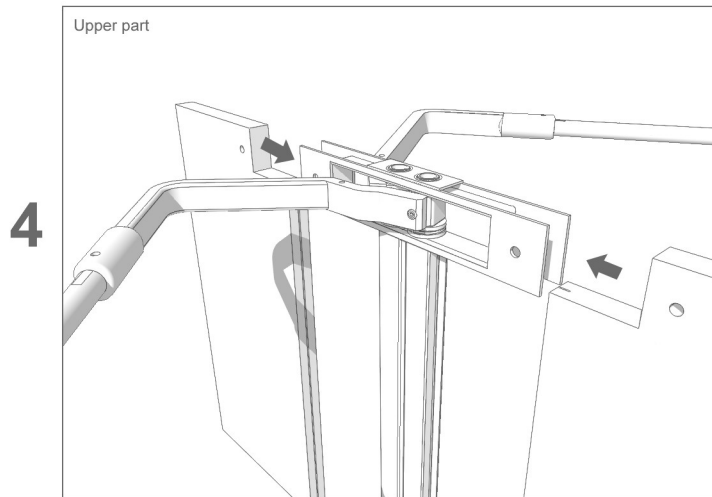


recommended units :

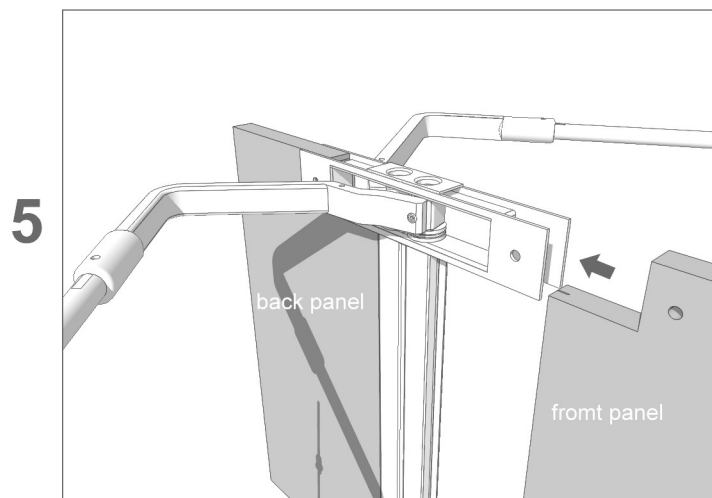


ISTRUZIONI DI MONTAGGIO  
INSTRUCTION OF ASSEMBLY

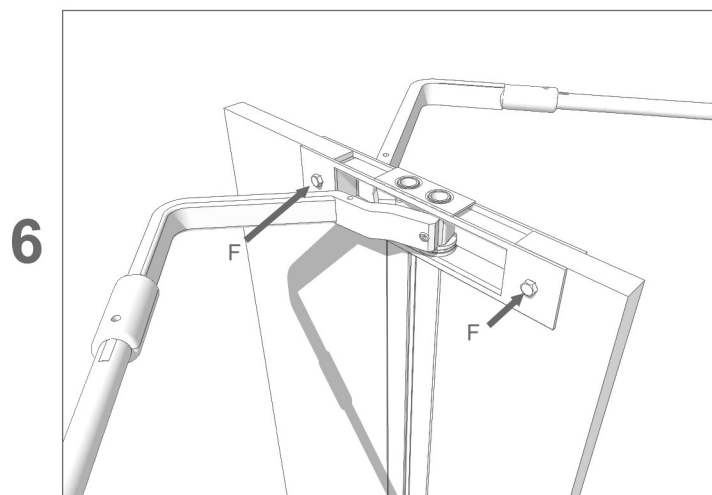
# 03



Connect panels by inserting them in the upper and lower boxes and in the case, take care of front ( smaller side) and back side( wider side) as shown in *pict.5*.  
For dimensions, panel and door holes see specifications.



Insert first back panel and then front panel.




When panels are inserted, tighten them with bolts and nuts placed in the hole *F*, above and below till one panel is obtained as shown in *pict.7*


4 x bolts Ø8mm



4 x nuts Ø8mm



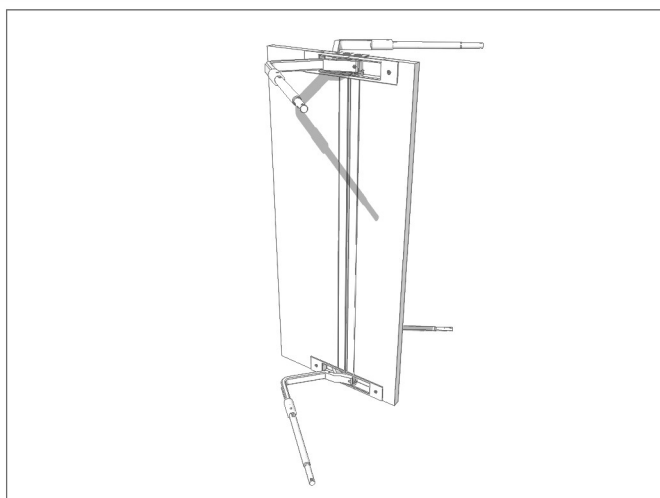
useful accessories : 

recommended units : 

ISTRUZIONI DI MONTAGGIO  
INSTRUCTION OF ASSEMBLY

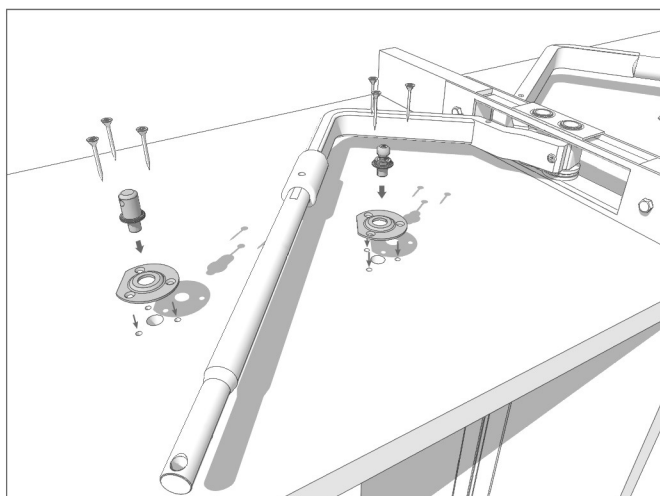
# 04

## 7



Completed panel.

## 8



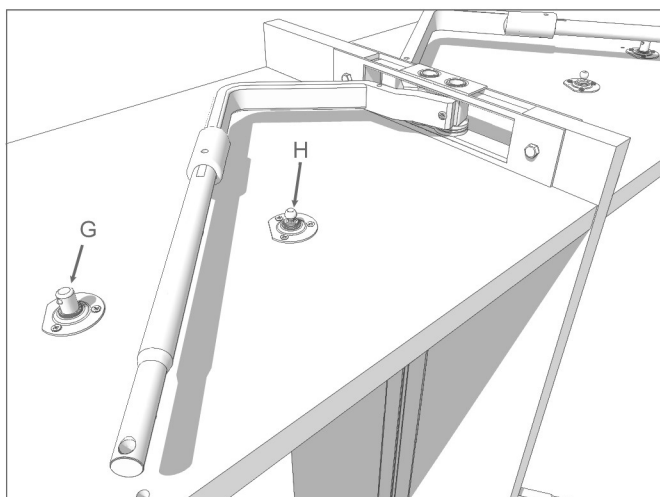
Prepare shelves by drilling cabinet as per specifications, insert pins into the holes and fix them with plates and screws.

Recommended screws

12 x A.F.T.S. Ø4x15



## 9



Make pin **G** turn free for balance rod, while pin **H** has to be well fixed as it is the piston holder.

useful accessories :



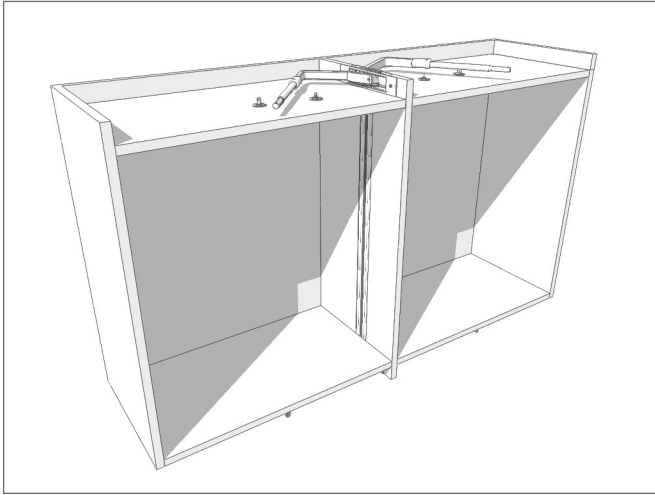
recommended units :



ISTRUZIONI DI MONTAGGIO  
INSTRUCTION OF ASSEMBLY

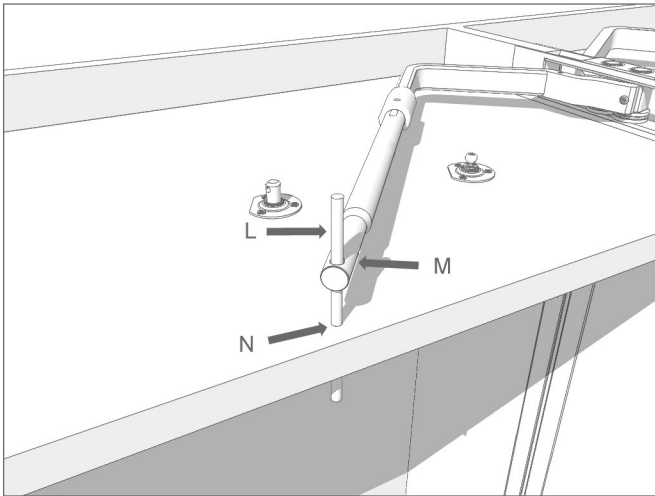
# 05

## 10



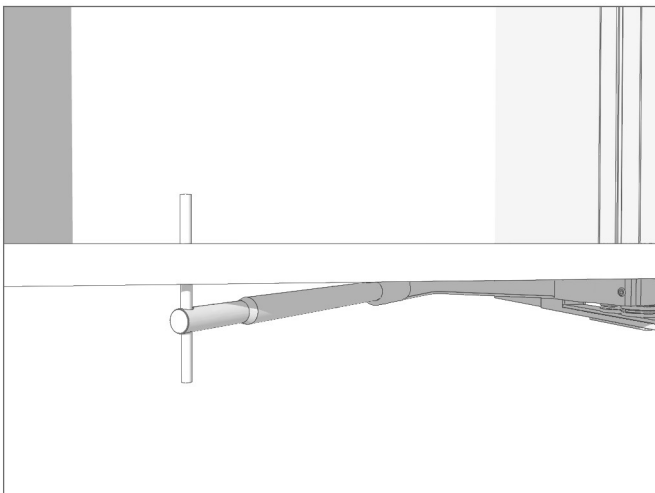
Assemble cabinet according to your drafts.

## 11



Insert a **5,5 mm** diam pin (**L**) between extension (**M**) hole and shelf hole (**N**), to synchronize levers.

## 12



Repeat the same operation for the lower part and for all the levers of the mechanism.

useful accessories :



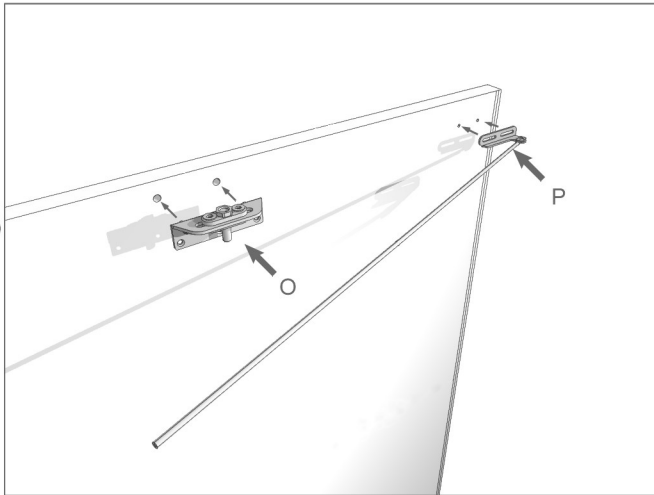
recommended units :



ISTRUZIONI DI MONTAGGIO  
INSTRUCTION OF ASSEMBLY

# 06

## 13



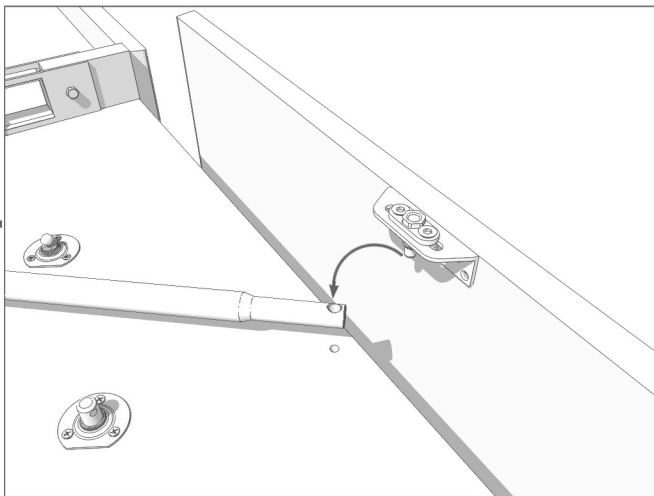
Fix door to upper and lower angular unit (**O**) and plate on equalizer (**P**) without locking it, leave motion possibility for the next adjustment.

Recommended screws:

8 x A.F.T.S. Ø4 x15

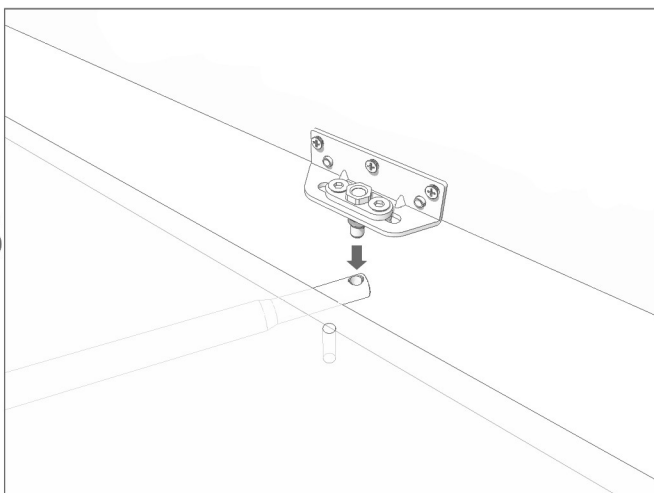


## 14



Hook the door on its extensions as shown in **pict.14**.

## 15



Make sure to perform the operation above and below simultaneously (**pict.15**).

useful accessories :



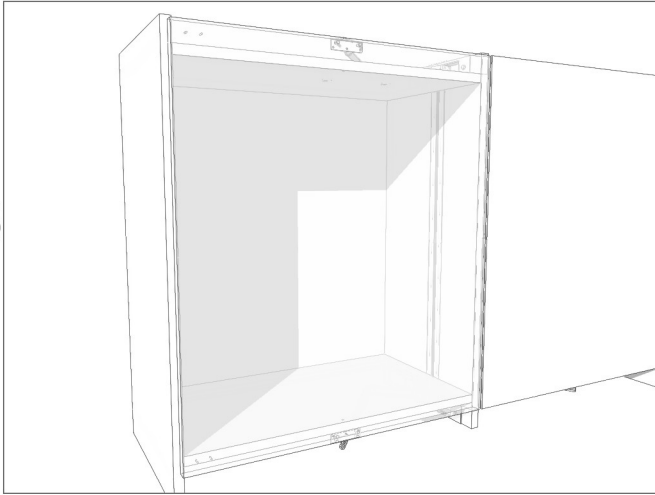
recommended units :



ISTRUZIONI DI MONTAGGIO  
INSTRUCTION OF ASSEMBLY

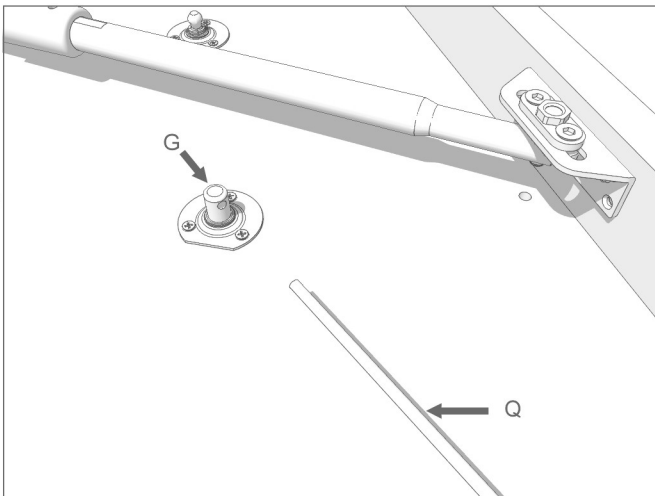
# 07

## 16



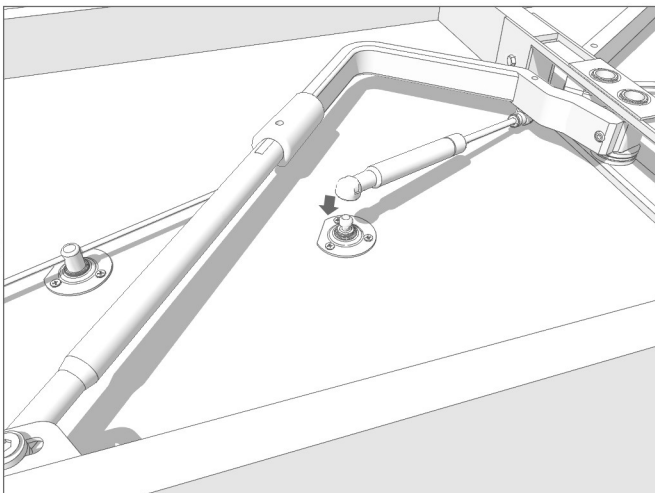
Door hooked on to the mechanism.

## 17



Insert balance rod **Q** into pin **G**.

## 18



Insert piston into its pin.

useful accessories :



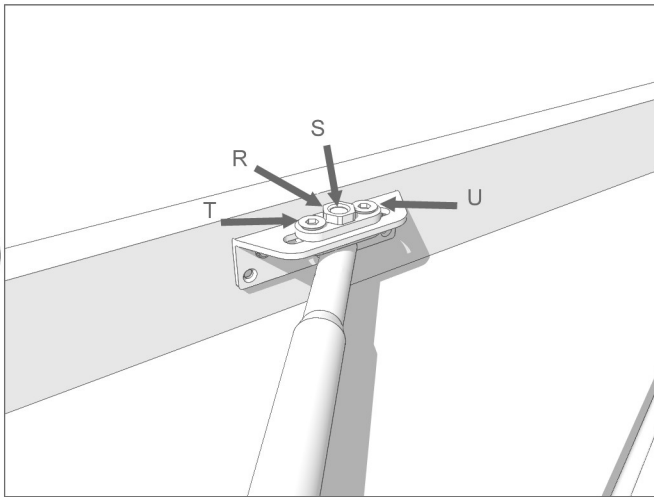
recommended units :



ISTRUZIONI DI MONTAGGIO  
INSTRUCTION OF ASSEMBLY

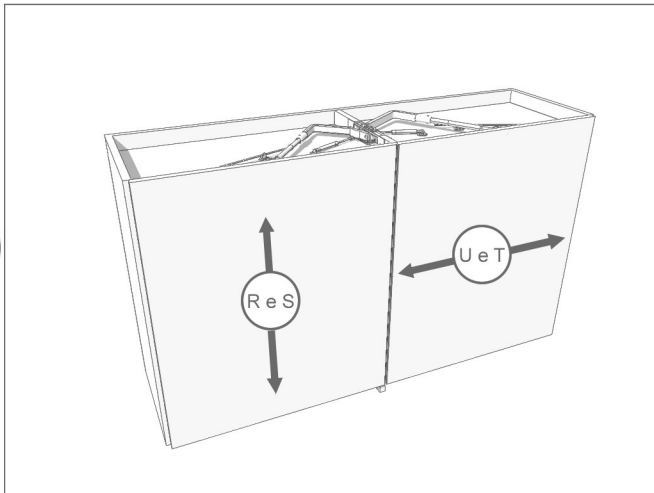
# 08

## 19



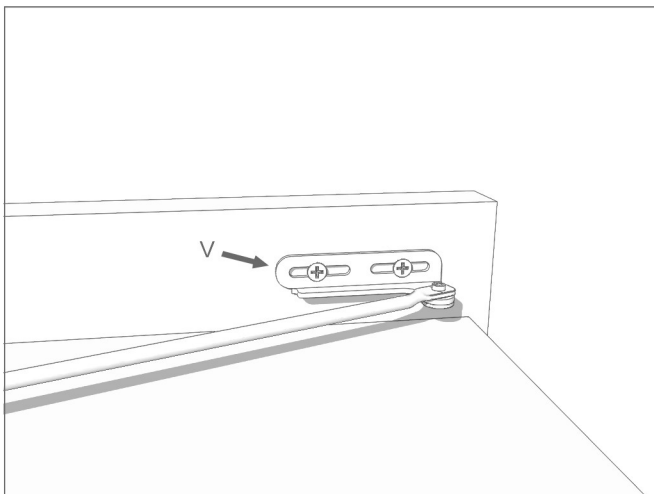
□ To adjust door vertically, unloose nut **R** and adjust screw and pin **S** as shown in **pict.20**.  
Carry out this operation above and below.  
Do not tighten nut **R**.  
To adjust doors horizontally loosen plate **V** (**pict.21**), and unloose screws **U** and **T**.  
Carry out adjustment and tighten screws **U** and **T**, nut **R**, plate **V** (**pict.21**) and pin **G**.

## 20



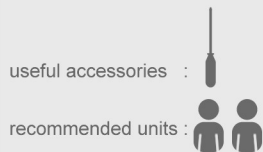
Adjustments draft.

## 21

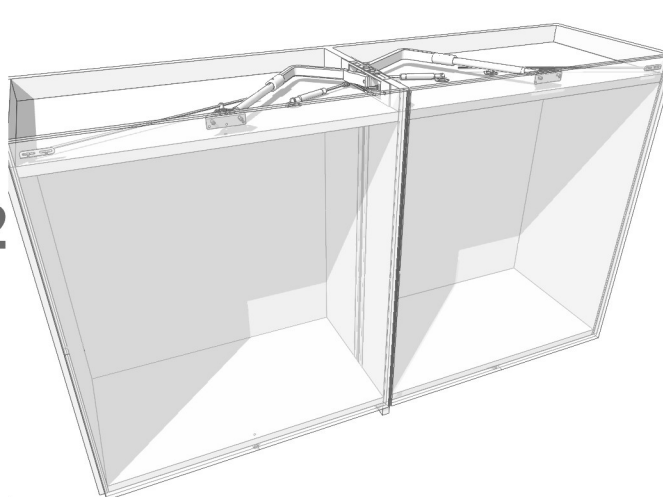


Rod plate- balance rod.





22



Mounted Sipario.

## MOUNTING INSTRUCTION SIPARIO

- 1 Short lever with pin (left upper one) : **A**
- Short lever without pin (left lower one) : **A<sup>1</sup>**
- Long lever with pin (right upper one) : **A<sup>2</sup>**
- Long lever without pin (right lower one) : **A<sup>3</sup>**

Insert bearing **B** and align it with box hole.  
Insert lever **A** on the bearing, keep hole alignment.

- 2 Insert tube **C** taking care that profiles are not forced or damaged  
Insert tube up to box upper edge (**D**)  
Repeat the same operation with tube **C<sup>1</sup>** and the opposite lever.  
Insert tubes **C** and **C<sup>1</sup>** in the **PVC** case.

- 3 Insert tubes **C** and **C<sup>1</sup>** also in the lower part, keep bearings under the lever.  
When both the lower tubes are fitted, tighten pins (**E**) on right and left lower levers.  
Do not tighten nuts in the upper part.

- 4 Connect panels by inserting them in the upper and lower boxes and in the case take care of front (smaller side) and back side (wider side) as shown in **pict.5**.

- 5 Insert first back panel and then front panel.

- 6 When panels are inserted, tighten them with bolts and nuts placed in the hole **F**, above and below till one panel is obtained as shown in **pict.7**.

- 8 Prepare shelves by drilling cabinet as per specifications, insert pins into the holes and fix them with plates and screws.

- 9 Make pin **G** turn free for balance rod, while pin **H** has to be well fixed as it is the piston holder.

- 10 Assemble cabinet according to your drafts.

- 11 Insert pin (**L**) between extension (**M**) hole and shelf hole (**N**) to synchronize levers.

- 12 Repeat the same operation for the lower part and for all the levers of the mechanism.

- 13 Fix door to upper and lower angular unit (**O**) and plate on balance rod (**P**).

- 14 Hook the door on its extensions as shown in **pict.14** e **pict.15**.

- 17 Insert balance rod **Q** into pin **G** and tighten screw slightly.

- 18 Insert piston into its pin.

- 19 To adjust door vertically, unloose nut **R** e and adjust screw and pin **S** as shown in **pict.20**.  
Carry out this operation above and below.  
Do not tighten nut **R**.  
To adjust doors horizontally loosen plate **V** (**pict.21**) and unloose screws **U** and **T**.  
Carry out adjustment and tighten screws **U** and **T**, nut **R**, plate **V** (**pict.21**) and pin **G**.

For any explanation please apply to Technical Department  
[tec@tizzoniweb.com](mailto:tec@tizzoniweb.com) or call Tel.No +39 0341 200313

Tizzoni Adelchi s.r.l.

via Rio Torto, 11  
23868 Valmadrera (LC)  
Italy