

open space

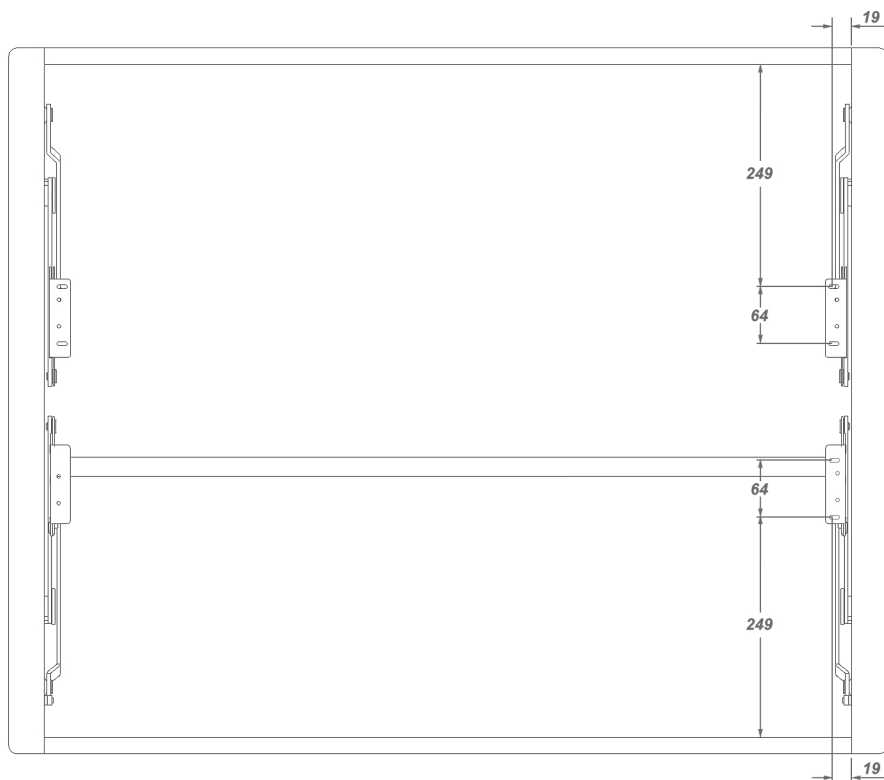
Movimento ad apertura totale simultaneo
Total simultaneous opening movement



tizzoni

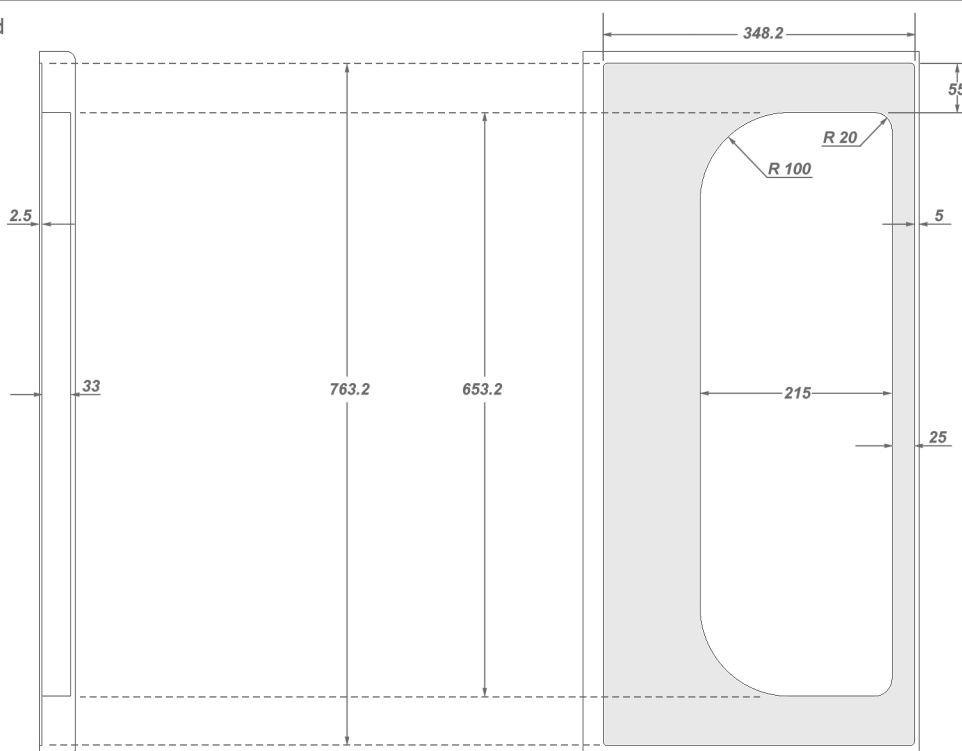
SCHEDA TECNICA
TECHNICAL CARD

Drilling doors



Attention! : make holes, apply (with no tighten) the screws into external button hole, adjust the doors and after apply the two central screws. Therefore tighten all the screws firmly.

Miling cutting lateral board



* dimensions on mm

open space

Movimento ad apertura totale simultaneo
Total simultaneous opening movement



tizzoni

necessary fittings :



recommended resources :



ISTRUZIONI DI MONTAGGIO
INSTRUCTION OF ASSEMBLY

01

Mounting elements



2 x A.F.T.P. Ø4x19



2 X Plastic rings

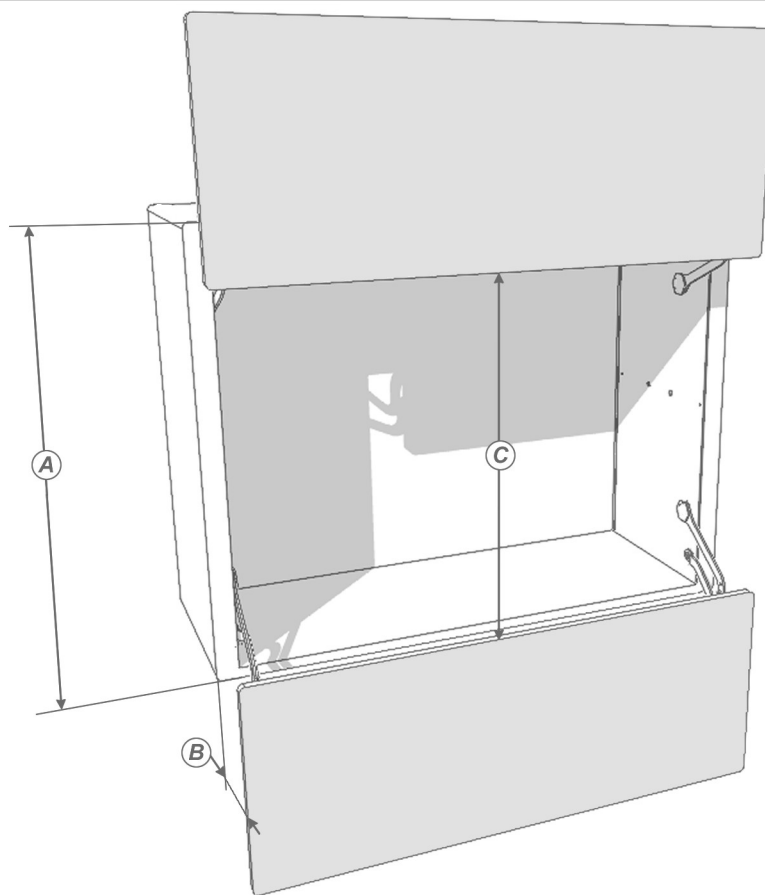
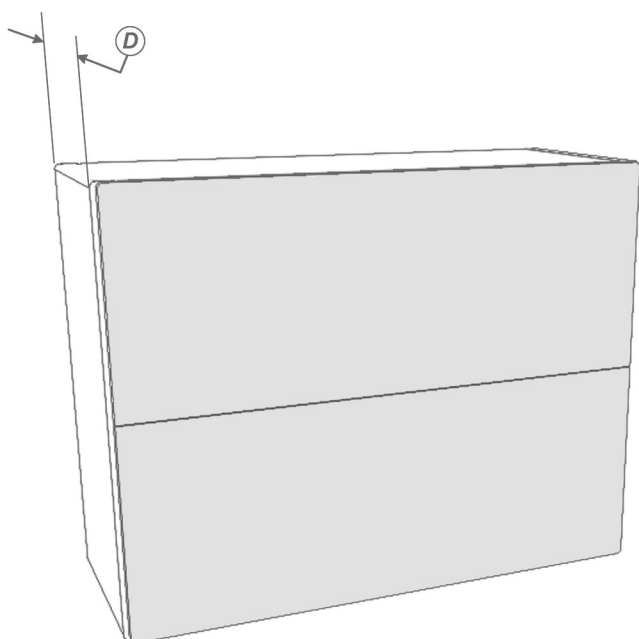


18 x A.F.T.S. Ø4x15

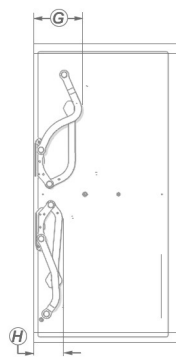
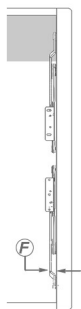
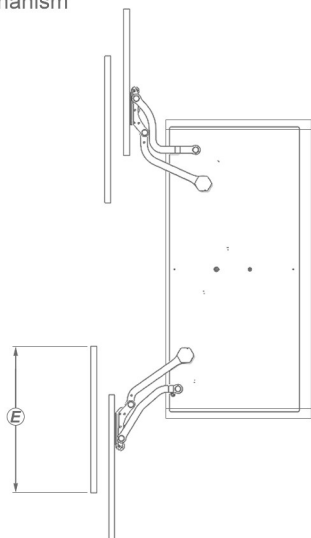


4 x TCR.CAC Ø15 M5

MISURE DI INGOMBRO
OVERALL DIMENSIONS



open mechanism



closed mechanism

| | min. | max. |
|---|-------|------|
| A | 718.5 | - |
| B | 153 | 193 |
| C | - | 639 |
| D | 347 | - |
| E | 357 | - |
| F | 17.5 | - |
| G | 120 | - |
| H | 70 | - |

open space

Movimento ad apertura totale simultaneo
Total simultaneous opening movement



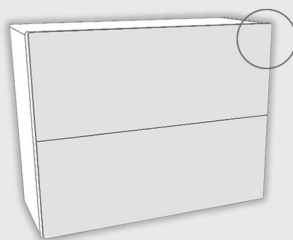
tizzoni

necessary fittings :



cabinet position

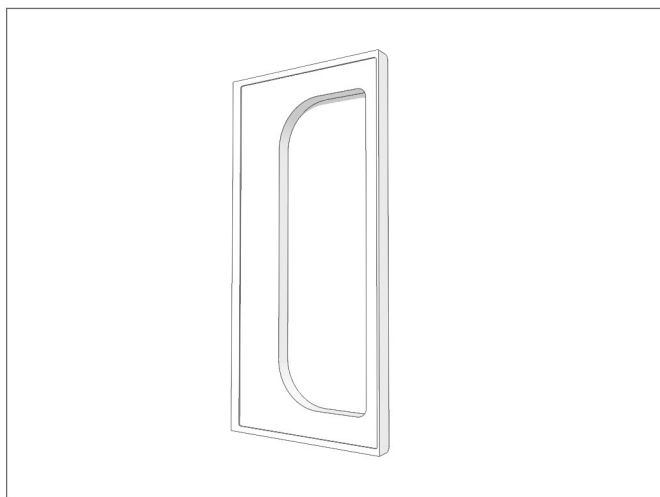
recommended resources :



ISTRUZIONI DI MONTAGGIO
INSTRUCTION OF ASSEMBLY

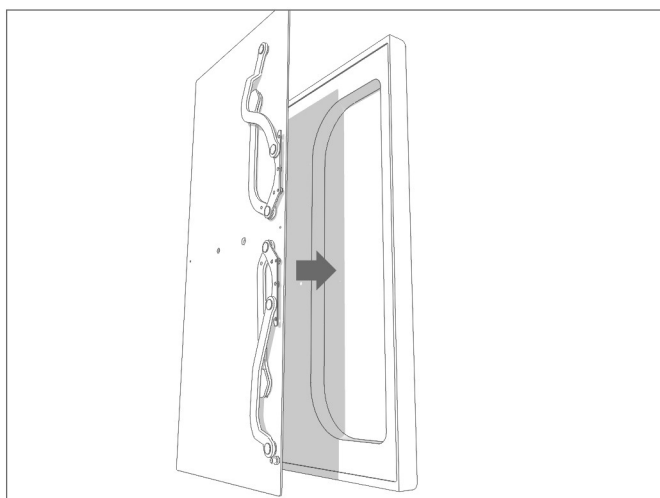
02

1



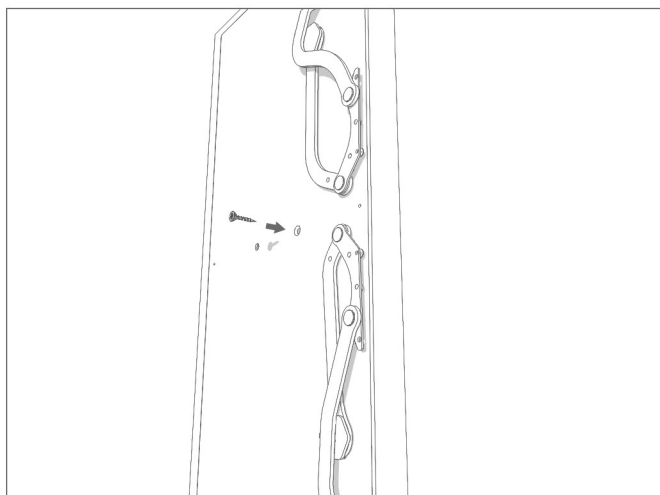
Tool the cabinet's flanks before mounting itself as per technical card.

2



Place mechanism on cabinet and test out that it's "free" on motion.

3



Tighten the screw to lock mechanism as per *pict.3*



open space

Movimento ad apertura totale simultaneo
Total simultaneous opening movement



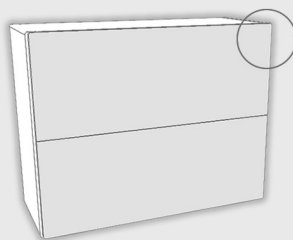
tizzoni

necessary fittings :



cabinet position

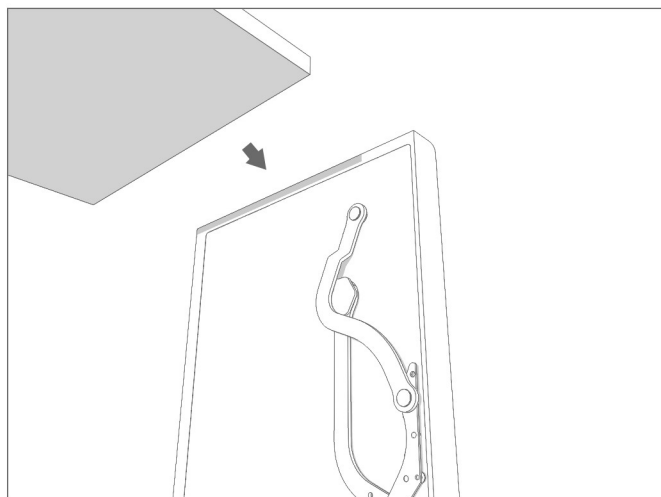
recommended resources :



ISTRUZIONI DI MONTAGGIO
INSTRUCTION OF ASSEMBLY

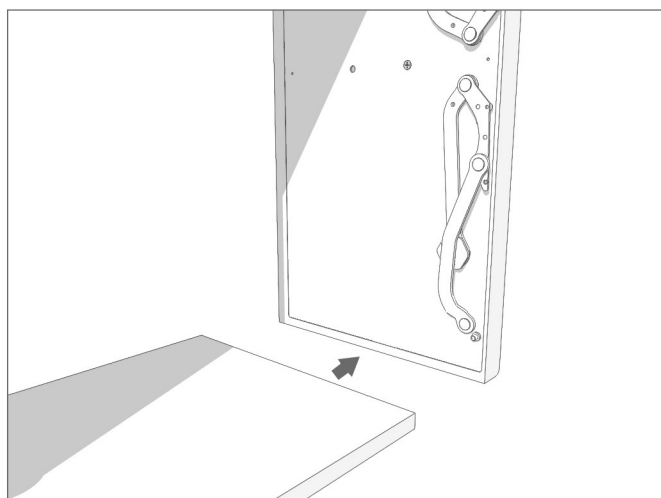
03

4



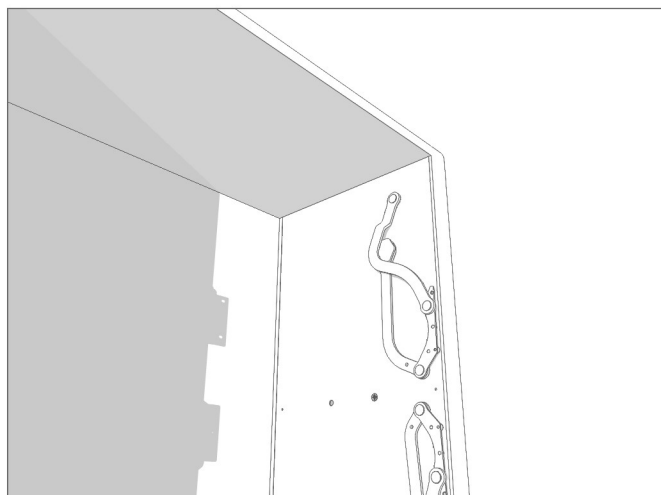
Place and fit the upper cabinet's board so that it constrains and it stop eventual mechanism's movements.

5



Repeat the same operation of *Pict.4* also lower cabinet's board.

6



Fit rear board to close permanently the mechanism.

open space

Movimento ad apertura totale simultaneo
Total simultaneous opening movement



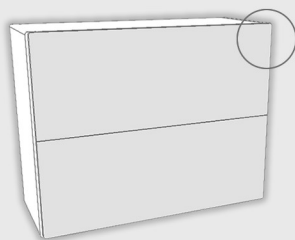
tizzoni

necessary fittings :



cabinet position

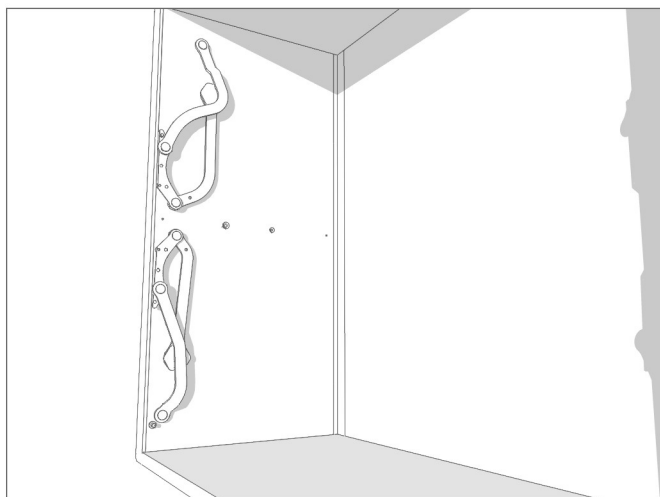
recommended resources :



ISTRUZIONI DI MONTAGGIO
INSTRUCTION OF ASSEMBLY

04

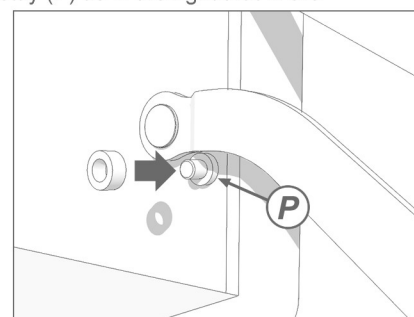
7



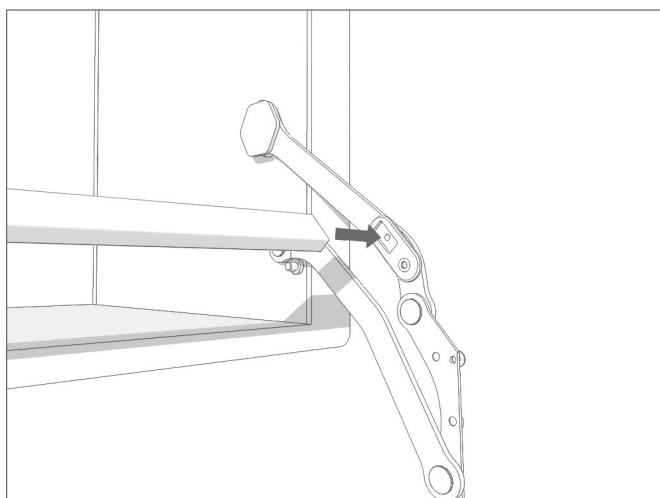
Repeat the foregoing operation also opponent cabinet's side.

*Insert nylon's ring into mainstay (*P*) as in the right that in the left as per *Pict.7b*.

7b

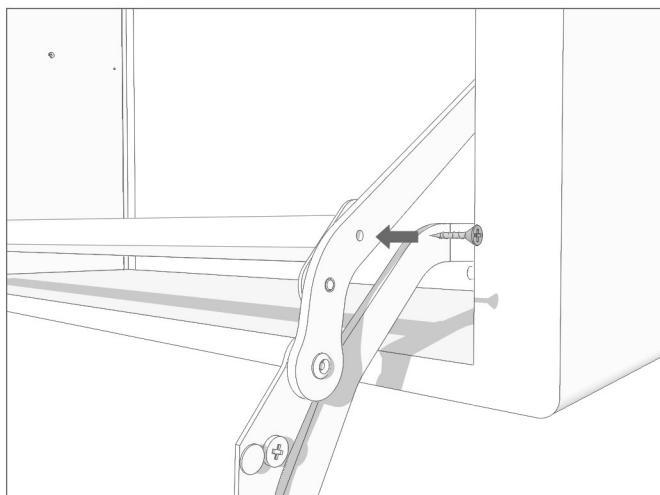


8



Place the connection as per *Pict.8*.

9



Fit the connection and tighten screw to lock it firmly.



open space

Movimento ad apertura totale simultaneo
Total simultaneous opening movement



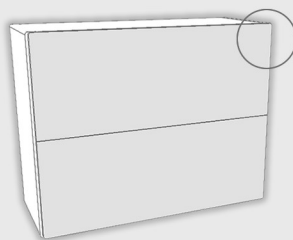
tizzoni

necessary fittings :



cabinet position

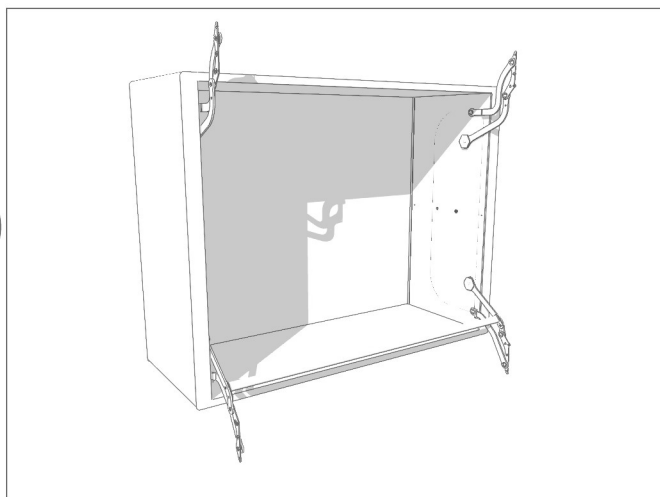
recommended resources :



ISTRUZIONI DI MONTAGGIO
INSTRUCTION OF ASSEMBLY

05

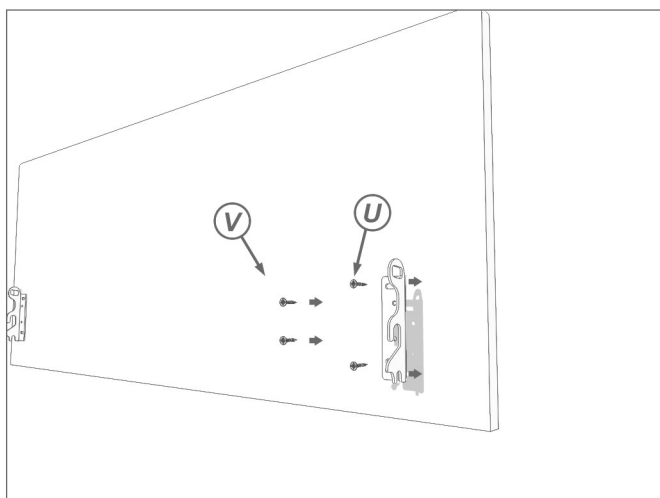
10



Complete the mounting of connection also other side and test out the stability.

* **Attention:** the connection on upper side of mechanism is a choice.

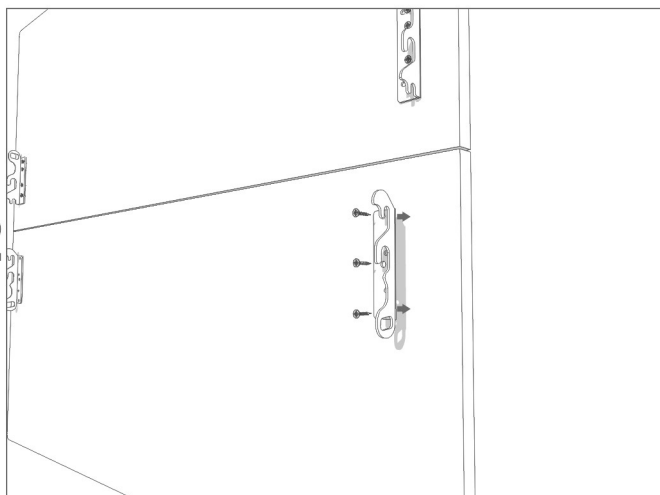
11



Place the plates on the door as per technical card and insert the external screws (**U**) with no tighten them to allow the adjustment of the door.
After tighten screws and fit the plates firmly also with two central screws (**V**).

 16 x A.F.T.S. Ø4x15

12



Place the plates also on lower door and tighten them.

open space

Movimento ad apertura totale simultaneo
Total simultaneous opening movement



tizzoni

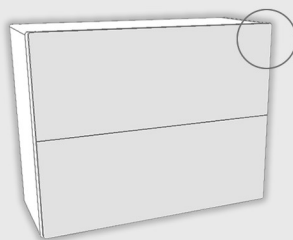
06

necessary fittings :



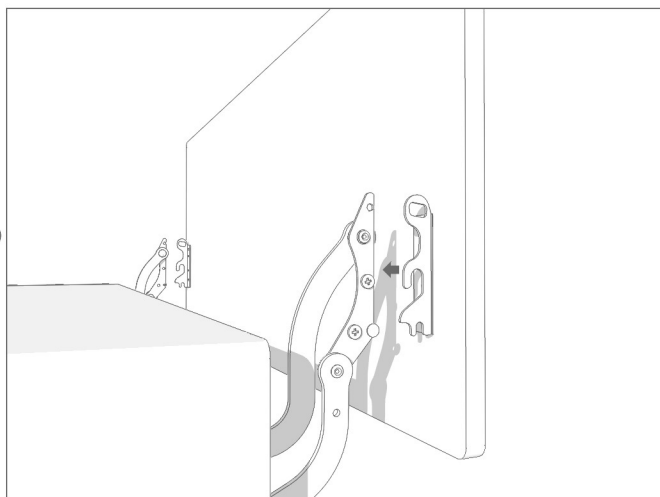
cabinet position

recommended resources :



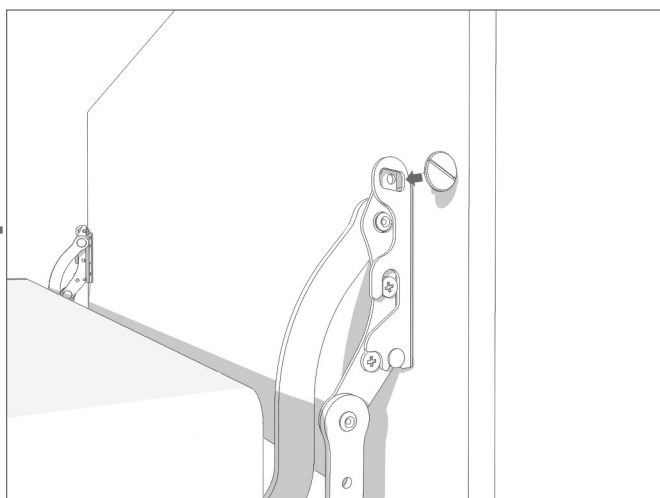
ISTRUZIONI DI MONTAGGIO
INSTRUCTION OF ASSEMBLY

13



Apply the doors on mechanism as per **Pict.13**.

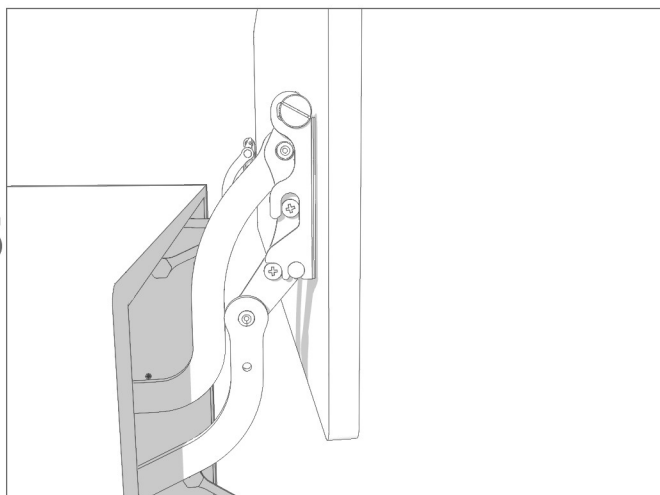
14



Insert the screws for the fit of the door with no tightening them.

 4 x TCR.CAC Ø15 M5

15



After to place the door and after to insert the screws as up as down,
adjust the door as per **Pict.16**.

open space

Movimento ad apertura totale simultaneo
Total simultaneous opening movement



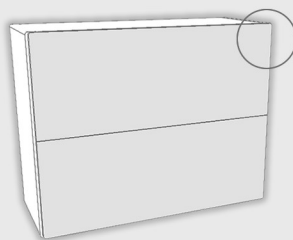
tizzoni

necessary fittings :



cabinet position

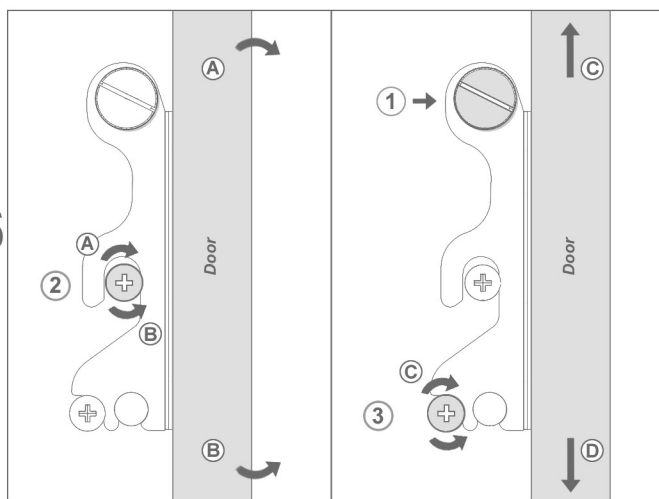
recommended resources :



ISTRUZIONI DI MONTAGGIO
INSTRUCTION OF ASSEMBLY

07

16

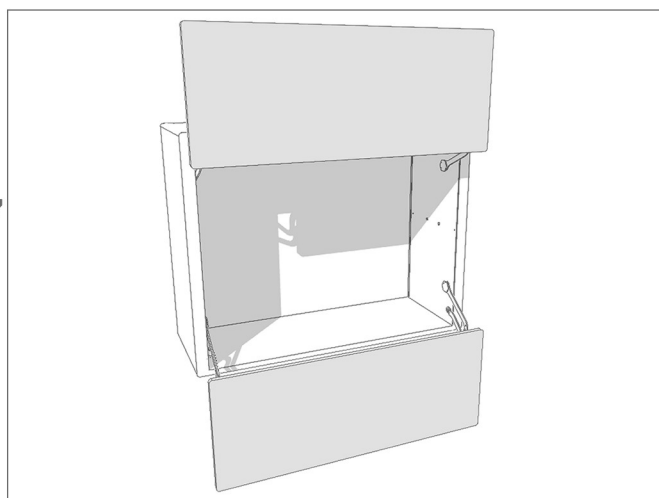


Eccentric screw **2** adjusts side inclination (**A** and **B**)

Eccentric screw **3** adjusts side elements (**C** and **D**)

Screw **1** tightens door definitely

17



Open Space mounted.

For any explanation please apply to Technical Department
tec@tizzoniweb.com or call Tel.No **+39 0341 200313**

Tizzoni Adelchi s.r.l.
via Rio Torto, 11
23868 Valmadrera (LC)
Italy