

accessori necessari  
useful accessories :



risorse consigliate  
recommended units:



ISTRUZIONI DI MONTAGGIO  
INSTRUCTION OF ASSEMBLY

# 01

componenti di montaggio  
non in dotazione

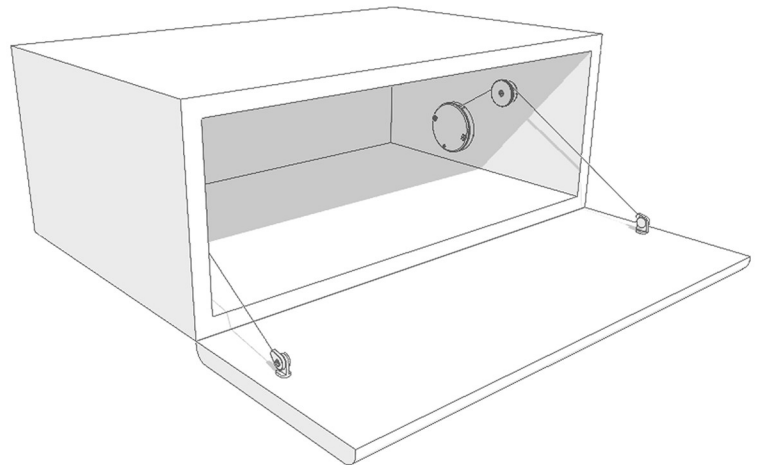
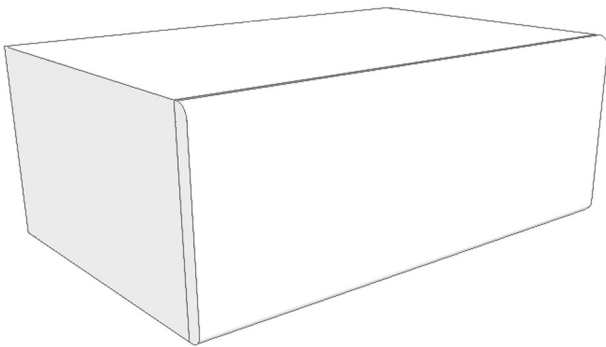
3 x A.F.T.P. Ø4x19



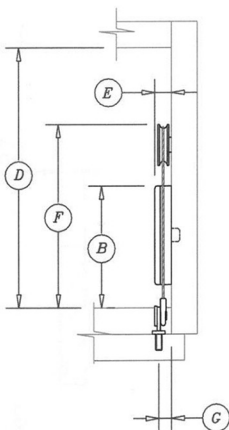
1 x fisher di plastica Ø8



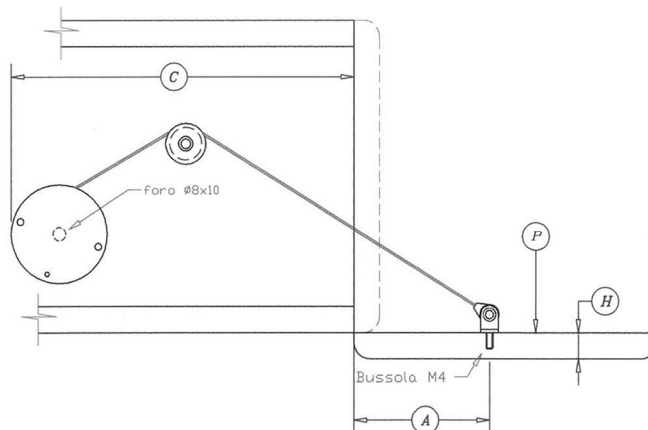
MISURE DI INGOMBRO  
OVERALL DIMENSIONS



vista frontale  
front view



vista laterale  
top view



X.60	
Ø	60
A	min 70 max 130
B	74
C	214
D	min 145
E	16
F	111.5
G	8
H	min.15

A	P.kg
70	1.2
90	2.2
130	3.2

max 3,2 Kg x  
1 pz.

\*valori in millimetri  
\*values in mm

# X tension .01

Movimento per apertura a frenata  
Opening and locking mechanism



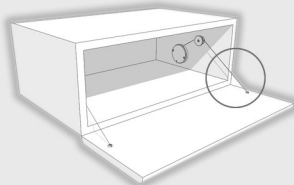
tizzoni

useful accessories :



cabinet position

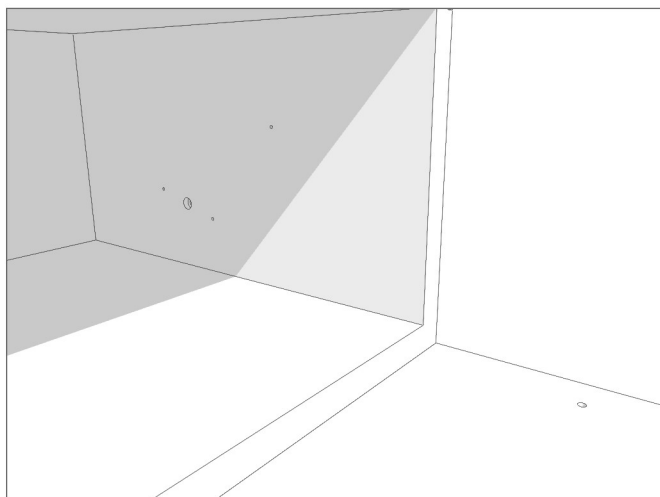
recommended units :



ISTRUZIONI DI MONTAGGIO  
INSTRUCTION OF ASSEMBLY

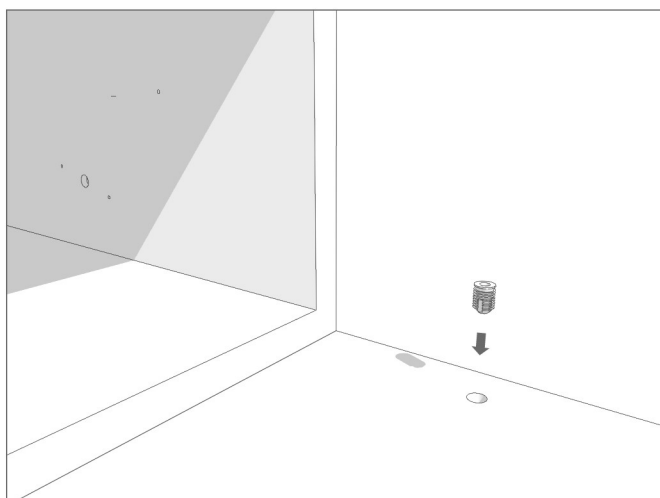
# 02

## 1



Drill cabinet and door on the right and on the left as per technic card.

## 2

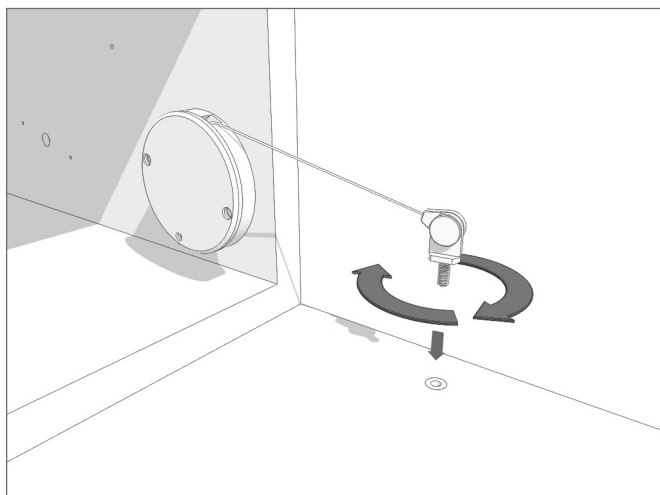


Insert pin to fix wire.

2 X plastic pins Ø8



## 3



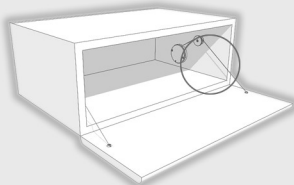
Insert mainstay into pin that suggested in picture e fix it firmly.

useful accessories :



cabinet position

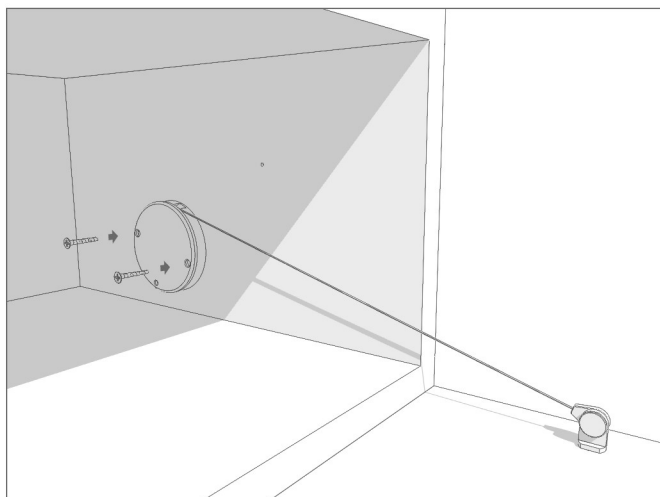
recommended units :



ISTRUZIONI DI MONTAGGIO  
INSTRUCTION OF ASSEMBLY

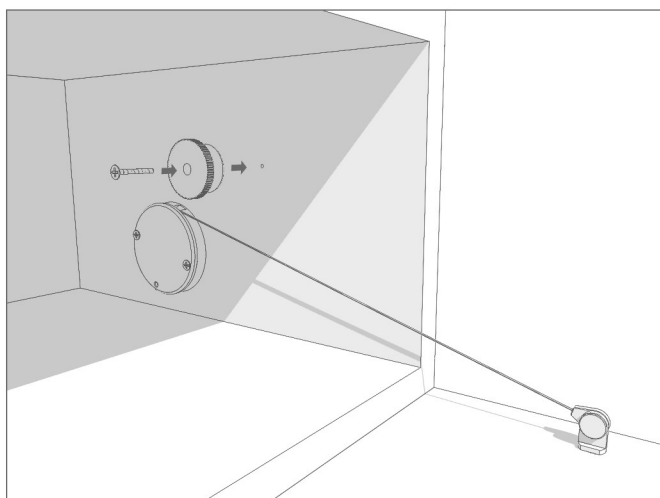
# 03

## 4



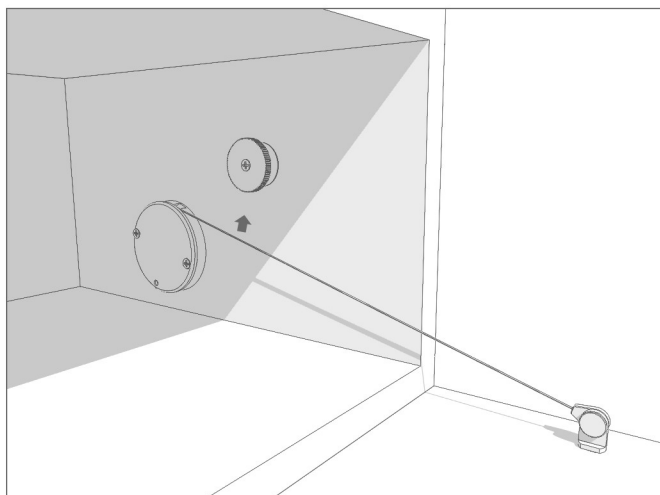
Fit coil, by keeping it tensioned, with 2 screws firmly as show on in **Pict.4**

## 5





Fit bearing and fix it with the screw as shown on **Pict. 5**

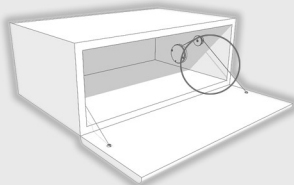
## 6



After fix all screws, put up the wire over the bearing and rest on it.

useful accessories :   
recommended units : 

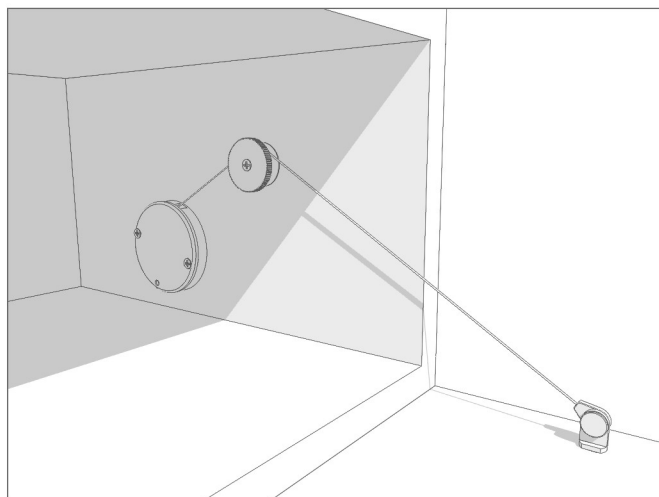
cabinet position



ISTRUZIONI DI MONTAGGIO  
INSTRUCTION OF ASSEMBLY

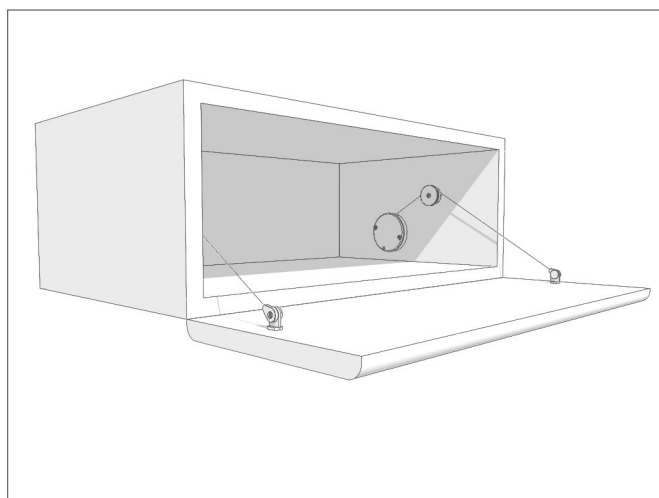
# 04

## 7



After completed assembling of this part of mobile repeat the same actions to other part of mobile too.

## 8



X-Tension mounted.

### INSTRUCTION OF ASSEMBLY X-TENSION

- 1 Drill cabinet and door on the right and on the left as per technic card
- 2 Insert pin to fix wire.
- 3 Insert mainstay into pin that suggested in picture e block off it firmly.
- 4 Fit coil, by keeping it tensioned, with 2 screws firmly as show on in **Pict.4**
- 5 Fit bearing and fix it with the screw as shown on **Pict. 5**
- 6 After fix all screws, put up the wire over the bearing and rest on it.
- 7 After completed assembling of this part of mobile repeat the same actions to other part of mobile too.
- 8 X-Tension mounted.

For any explanation please apply to our Technical Department  
[tec@tizzoniweb.com](mailto:tec@tizzoniweb.com) or call +39 0341 200313

Tizzoni Adelchi s.r.l.  
via Rio Torto, 11  
23868 Valmadrera (LC)  
Italy